



BUILDING WRAPS, TAPES, AND FLASHING.

INSTALLATION GUIDE

TABLE OF CONTENTS

PRODUCTS & SPECIFICATIONS

- 2** BARRICADE® PRODUCTS
- 3** PRODUCT SPECIFICATIONS

BUILDING WRAP

- 4-5** INSTALLATION

FLASHING TAPE

- 6-12** INSTALLATION
- 13-14** FLASHING PENETRATIONS

OTHER

- 15** OTHER DETAILS

BARRICADE® PRODUCTS

BUILDING WRAPS



BARRICADE® BUILDING WRAP

An economical builder-grade perforated wrap. Produced in our Virginia plant so it can meet our high-quality control standards.



BARRICADE® BUILDING WRAP PLUS LP®

A high-performance, non-perforated, non-woven permeable membrane. Building wraps made of non-perforated membranes offer the highest level of performance against wind, air, and moisture.



BARRICADE® BUILDING WRAP PLUS HP®

A high-perm, non-perforated, non-woven permeable membrane. Building wraps made of non-perforated membranes offer the highest level of performance against wind, air, and moisture.



BARRICADE® DRAINAGE WRAP PREMIUM

A non-perforated, non-woven permeable membrane. Creates a non-directional drainage path by maintaining an airspace between the sheathing and exterior cladding, allowing water to drain down and out.

FLASHING



BARRICADE® FLASH RIGHT

A high-performance, asphalt-based window and door flashing tape designed to provide a permanent, weather-tight seal to protect from moisture, leaks, and air penetration.



BARRICADE® FLASH ULTI

Our top-of-the-line flashing tape offers the ultimate protection for windows and doors. The 100% butyl rubber adhesive creates a permanent, flexible, weatherproof seal, while the UV inhibitors protect against the sun's harmful rays.



BARRICADE® FLASH CONFORM

A highly stretchable flashing tape with an aggressive, slower-acting butyl rubber adhesive that conforms around radii and corners while providing maximum protection from water intrusion.



BARRICADE® FLASH EXTREME

Extremely aggressive, self-adhering flashing membrane designed to protect windows and doors from moisture penetration.

ADDITIONAL MATERIALS



BARRICADE® SEAM TAPE

A thin, strong film-coated tape with a cold-weather adhesive system for added protection against energy-robbing air infiltration and exterior moisture penetration.



BARRICADE® CONSTRUCTION SEALANT

The perfect partner to Barricade tapes — a flexible, waterproof, door and window caulk for framework and joints.

SPECIFICATION OVERVIEW

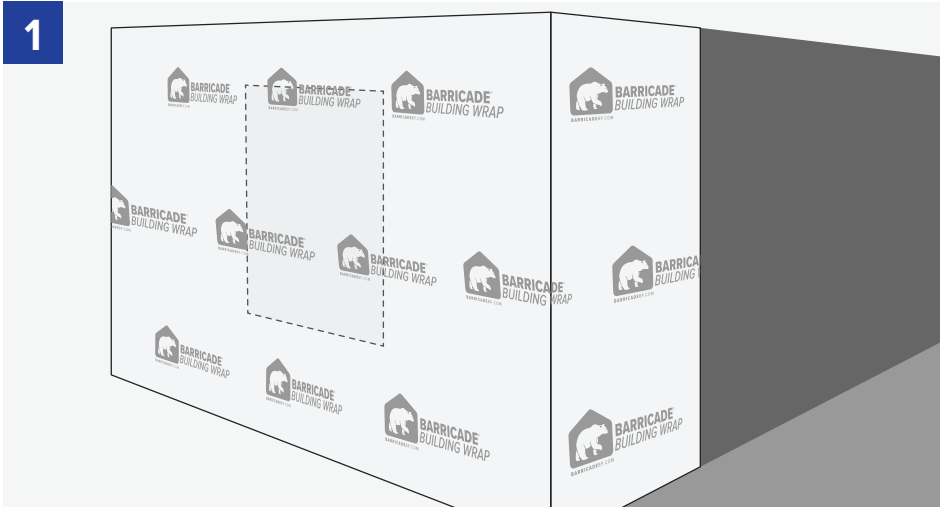
	Construction Special Institute Identification Codes	Composition	Standard Sizes		Optional Sizes	Permeability (ASTM E-96A)	Tensile Strength	Air Permeance (ASTM E2178)	Water Penetration Resistance	Flame Spread (ASTM E-84)	UV Exposure Rating	Applicable Standards	Warranty
BARRICADE® BUILDING WRAP	Air Barriers – 07270	Perforated woven polyolefin	108" x 100' 108" x 150' 108" x 195'	120" x 100' 120" x 150' 120" x 195'	54" x 100' 54" x 150' 36" x 150'	11 US Perms	ASTM D-882 63.3 lbs/in. MD 51.4 lbs/in. CD		Pass (ASTM D779)	Class A	12 months	Manufactured to meet the full intent of all major building codes. Meets Fed. Spec. UU-B-790a Grade D	20-Year Limited System Warranty
BARRICADE® BUILDING WRAP PLUS LP	Air Barriers – 07270	Non-perforated non-woven polyolefin	108" x 100' 108" x 150' 108" x 195'	120" x 100' 120" x 150' 120" x 195'	54" x 100' 54" x 150' 36" x 150'	16 US Perms	ASTM D-5034 56 lbs/in. MD 43 lbs/in. CD	< 0.02 L/(s·m²) @ 75 Pa	325 (AATCC-127)	Class A	9 months	Manufactured to meet the full intent of all major building codes. Meets Fed. Spec. UU-B-790a Grade D	20-Year Limited System Warranty
BARRICADE® BUILDING WRAP PLUS HP	Air Barriers – 07270	Non-perforated non-woven polyolefin	108" x 100' 108" x 150' 108" x 195'	120" x 100' 120" x 150' 120" x 195'	54" x 100' 54" x 150' 36" x 150'	50 US Perms	ASTM D-5034 56 lbs/in. MD 43 lbs/in. CD	< 0.02 L/(s·m²) @ 75 Pa	325 (AATCC-127)	Class A	9 months	Manufactured to meet the full intent of all major building codes. Meets Fed. Spec. UU-B-790a Grade D	20-Year Limited System Warranty
BARRICADE® DRAINAGE WRAP PREMIUM	Air Barriers – 07270	Non-perforated non-woven polyolefin with non-directional drainage pattern	60" x 200' 108" x 100' 108" x 150'	120" x 100' 120" x 150'		18 US Perms	ASTM D-882 56 lbs/in. MD 44 lbs/in. CD	< 0.02 L/(s·m²) @ 75 Pa	325 (AATCC-127)	Class A	9 months	Manufactured to meet the full intent of all major building codes. Meets Fed. Spec. UU-B-790a Grade D	20-Year Limited System Warranty
	Composition	Roll Length	Roll Widths	Rolls Per Case	Total Thickness	Tensile Strength	Application Temperature Range	Operating Temperature Range	Warranty	Nail Sealability	Shelf Life	UV Exposure Rating	
BARRICADE® FLASH ULTI	Polyolefin faced, peel-and-stick flashing tape using butyl rubber adhesive	75'	4" 6" 9" 12"	6 6 3 4	13.5 mils	60 lb/in	30°F–180°F	-30°F–200°F	10-Year Limited Warranty	Pass	12 Months	Up to 365 days	
BARRICADE® FLASH CONFORM	Polyolefin film backing, butyl-based adhesive, polyethylene liner	75'	6" 8"	1	50 mils	> 400psi	40°F–180°F	-30°F–200°F	10-Year Limited Warranty	Pass	12 Months	Up to 365 days	
BARRICADE® FLASH RIGHT	White polyolefin-faced, using SBS asphalt adhesive	75'	4" 6" 9" 12" 18"	9 6 4 3 2	20 mils	12 lb/in (ASTM D412)	40°F–160°F		10-Year Limited Warranty	Pass	12 Months	180 days	
BARRICADE® FLASH EXTREME	Non-asphaltic, copolymer flashing tape using pressure-sensitive adhesive	75'	4" 6" 9" 12"	12 8 4 4	15 mils		-20°F–150°F		10-Year Limited Warranty	Pass	18 Months	180 days	
BARRICADE® SEAM TAPE	Polypropylene film coated with a cold-weather acrylic adhesive system	165'	1 7/8" 3"	16	3 mils	30 lb/in	14°F–122°F	-40°F–212°F	10-Year Limited Warranty	Pass	12 Months	180 days	
BARRICADE® CONSTRUCTION SEALANT	Aqueous-based acrylic urethane polymer sealant	N/A	N/A	24	N/A	N/A	N/A	N/A	1-year Limited Warranty	Pass	12 Months		

BUILDING WRAP INSTALLATION

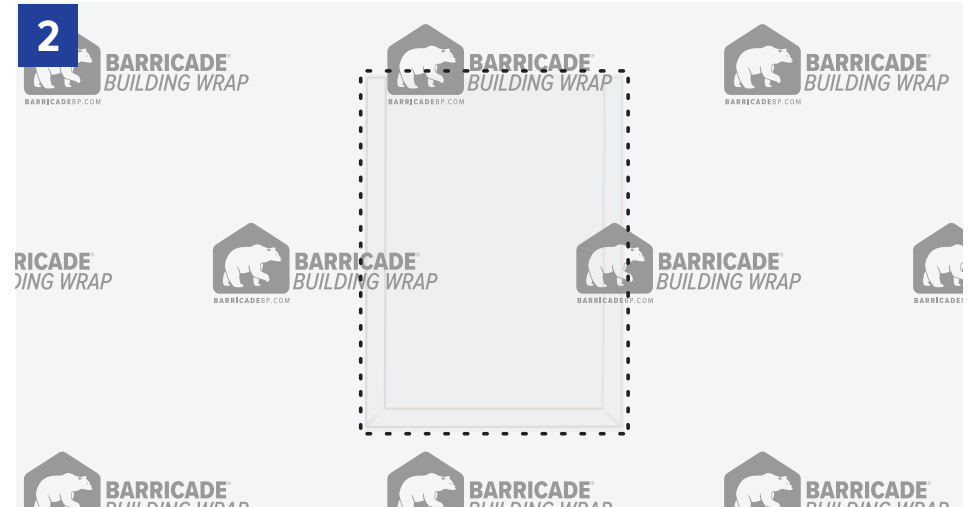
Over OSB or Equivalent Sheathing

CONSIDERATIONS

- Barricade building wrap can be installed over wood-based, foam insulative, or fiberboard sheathing, exterior gypsum board, or directly over studs if not using continuous sheathing.
- Install building wrap with the printed side facing out, in “shingle-lap” fashion, with the higher piece lapped over the outside of the piece below.
- All horizontal overlaps of building wrap must be at least 2" (4" is recommended) and vertical overlaps must be at least 6".
- At roof sections, be careful to lap the building wrap over the entire top of any step flashed areas against the wall.
- We recommend using Barricade flashing products minimum 6" in width.



1 Start by placing the roll 2-3 feet from the corner and fasten using plastic cap nails or staples (best practice), staples, large-headed nails or roofing nails spaced a maximum of 18 inches on center.



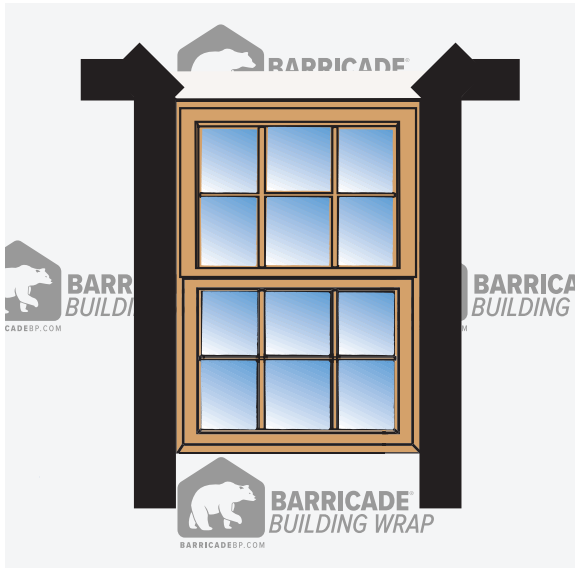
2 Unroll the wrap around the building and fasten with plastic cap nails or staples (best practice), staples, large-headed nails or roofing nails spaced a maximum of 32 inches on center.

All horizontal overlaps must be 2-4 inches and vertical overlaps must be 6 inches. Seams must be taped if used as an air barrier.

BUILDING WRAP INSTALLATION

Over OSB or Equivalent Sheathing

BARRICADE® BUILDING WRAP APPLICATION OVER EXISTING WINDOWS



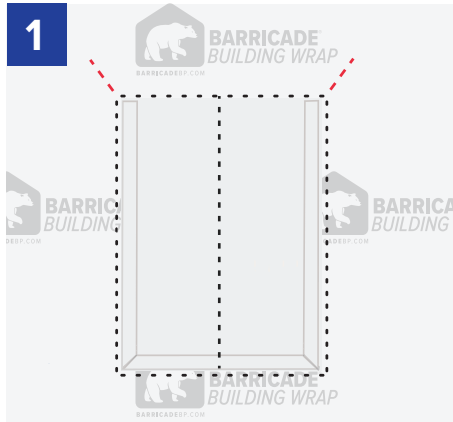
- A. Cut wrap at the window opening
- B. Create a top flap by cutting at 95° from each corner 8" from the top - so that the head flashing can be installed under the wrap and over the flange.
- C. Leave the bottom unflashed, allowing moisture to escape.
- D. On both sides, trim the wrap close to the window flange and secure it to the flange with sealant, then install Barricade window flashing.
- E. Install head flashing and extend out 3-4" to each side, then tape flap over.
- F. On the inside of the window apply a bead of caulking all the way around the window sealing any gaps between the window opening and the window frame. If the gap is larger than 3/8" the use of a foam backer or a low expansion foam is acceptable. Do not use a high expansion foam as it can warp the window frame. When using sealants ensure compatibility with flashing tapes.

(Note: Tape and sealant should only be used for securing purposes and should not be used as primary flashing material.)

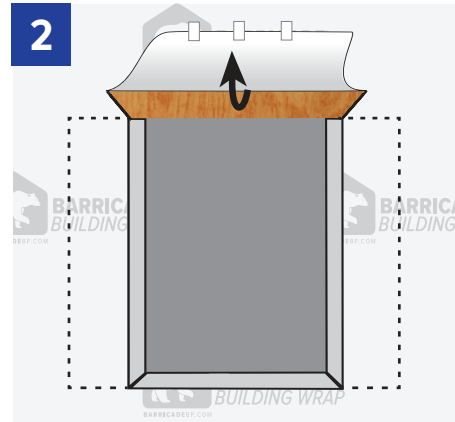
FLASHING TAPE INSTALLATION

FLANGED WINDOW INSTALLATION

FOR BARRICADE® FLASH RIGHT, BARRICADE® FLASH ULTI, BARRICADE® FLASH CONFORM, BARRICADE® FLASH EXTREME



1 Cut out the whole frame. Make diagonal cuts at the top of the rough opening corners. Windows must be installed according to the manufacturer's recommended installation process.



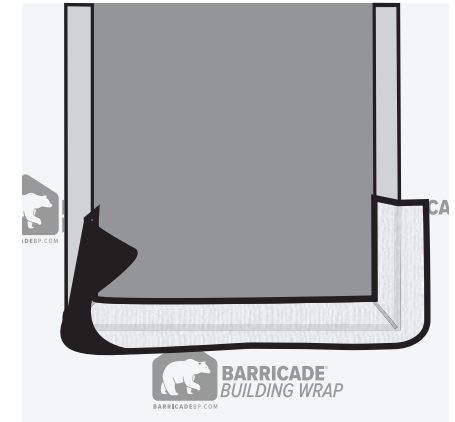
2 **A.** Flip the cut head flap upward to expose the sheathing and temporarily secure with Barricade Seam tape.
B. Use the Barricade Seam tape to hold the Barricade WRB around the rough opening. Alternative cutting Y method is acceptable as well (See Page 11).



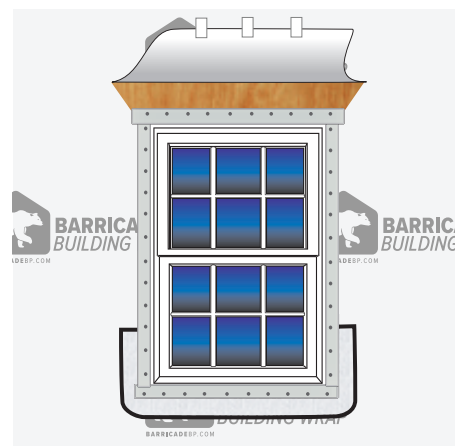
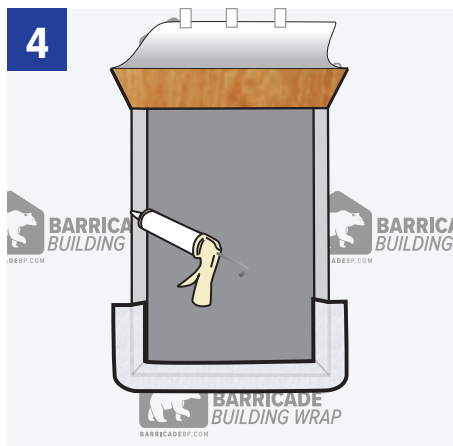
BARRICADE® FLASHING

Prepare sill flashing by cutting Barricade Flash Conform at least 12" longer than the width of the rough opening. Install sill flashing by removing the release paper, centering sill flashing on sill framing stud, and adhering into rough opening. The back edge of Flash Conform should extend to inside edge of sill framing stud and at least 6" up each jamb framing stud. (Sill flashing should not wrap onto the inside of wall.)

DO NOT stretch material along the sill or jamb. When building wrap or conventional building paper is used as a weather-resistive barrier (WRB) over wall sheathing prior to window and flashing installation, Flash Conform should be applied over the WRB after it has been properly cut and folded in and around the window rough opening.



NOTE: If a WRB will be applied after the window and flashing have already been installed, be sure not to fasten the lower edge of the flashing so that the WRB may be slipped underneath the flashing in weatherboard or shingle lap fashion (i.e., top layer overlapping bottom layer).



WINDOW AND DOOR INSTALLATION

Before installing the window, either (A) apply a continuous bead of sealant to the backside (interior) of the mounting flange near the outer edge, or (B) apply a continuous seal to the rough window opening at a point to assure contact with the backside (interior) of the mounting flange. DO NOT seal along bottom. Install window according to manufacturer's installation procedures. Use of Barricade Construction Sealant is recommended and compatible with all Barricade Flashing Tapes.

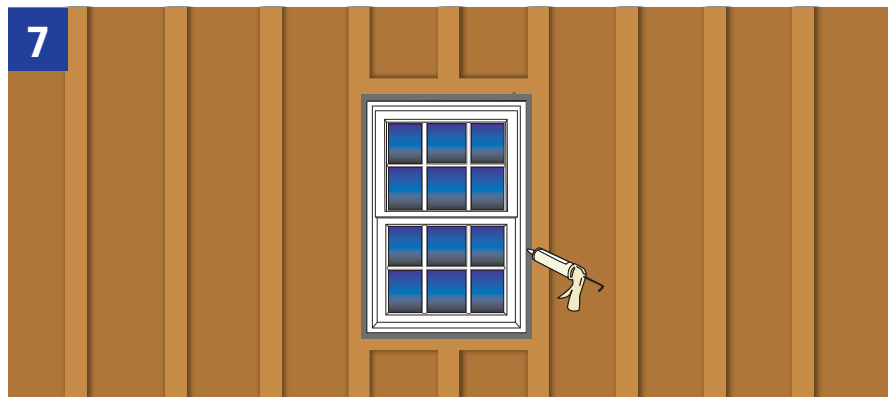
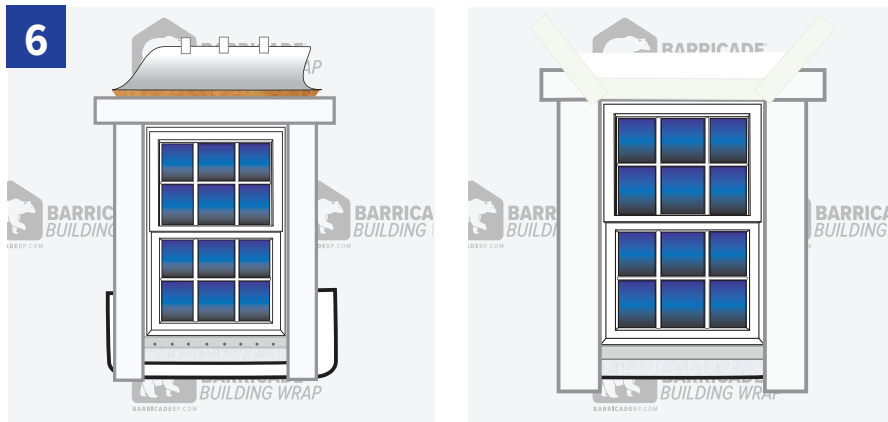
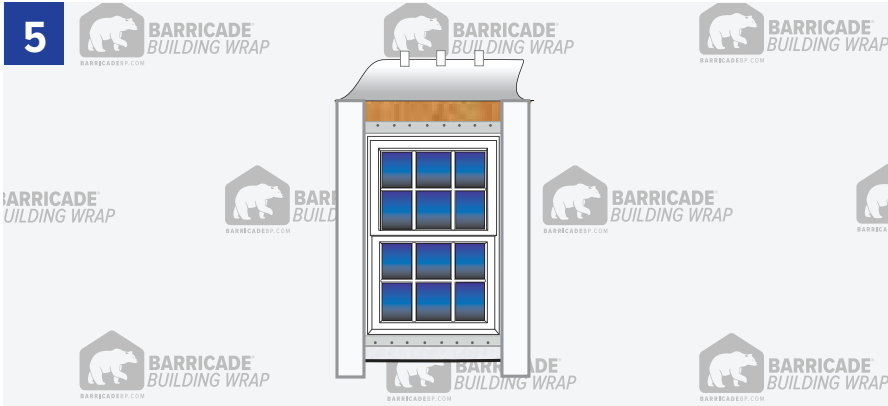
** If using a competitive flashing tape or sealant ensure compatibility.

(CONTINUED ON NEXT PAGE)

FLASHING TAPE INSTALLATION

FLANGED WINDOW INSTALLATION

FOR BARRICADE® FLASH RIGHT, BARRICADE® FLASH ULTI, BARRICADE® FLASH CONFORM, BARRICADE® FLASH EXTREME



JAM FLASHING

Utilizing a roller to provide firm, consistent pressure, apply Barricade window flashing along vertical sides of the opening. Flash over the side window flanges. Extend the flashing beyond the sill flashing already in place and extend the flashing 1-2 inches beyond the head flange, so that it will not project beyond the head flashing to be applied later.

HEAD FLASHING

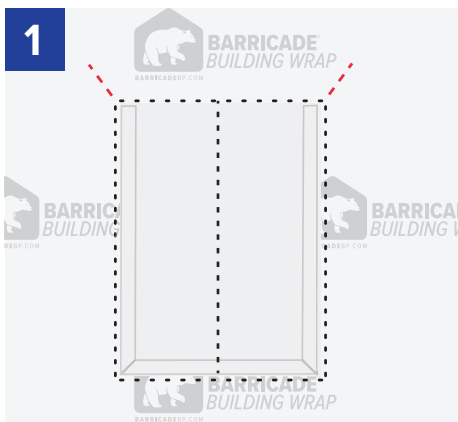
Affix the bottom of the head flashing over the mounting flange. Be sure to extend the flashing beyond each jamb flashing. Secure in place by applying pressure. Unattach building wrap and apply over head flashing as shown. Tape all seams and joints.

BEST PRACTICE

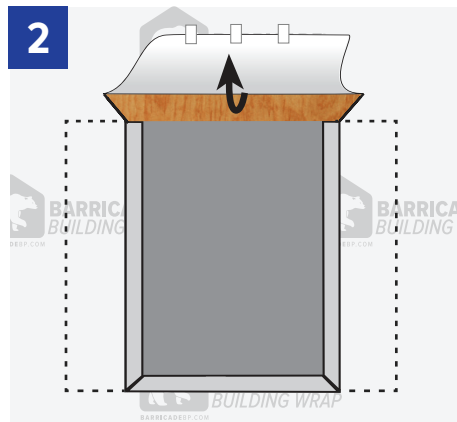
On the inside of the window apply a bead of caulking all the way around the window sealing any gaps between the window opening and the window frame. If the gap is larger than 3/8" the use of a foam backer or a low expansion foam is acceptable. Do not use a high expansion foam as it can warp the window frame. When using sealants ensure compatibility with flashing tapes.

FLASHING TAPE INSTALLATION

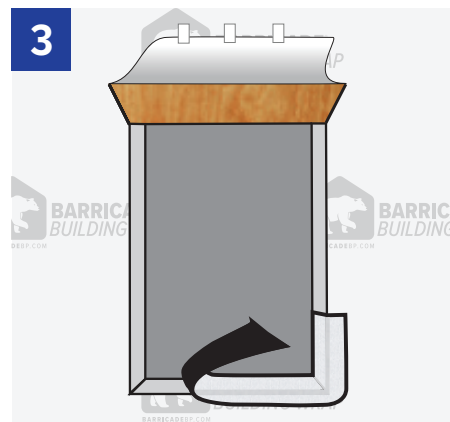
FLANGELESS WINDOWS



1 Cut out the whole frame. Make diagonal cuts at the top of the rough opening corners. Windows must be installed according to the manufacturer's recommended installation process.

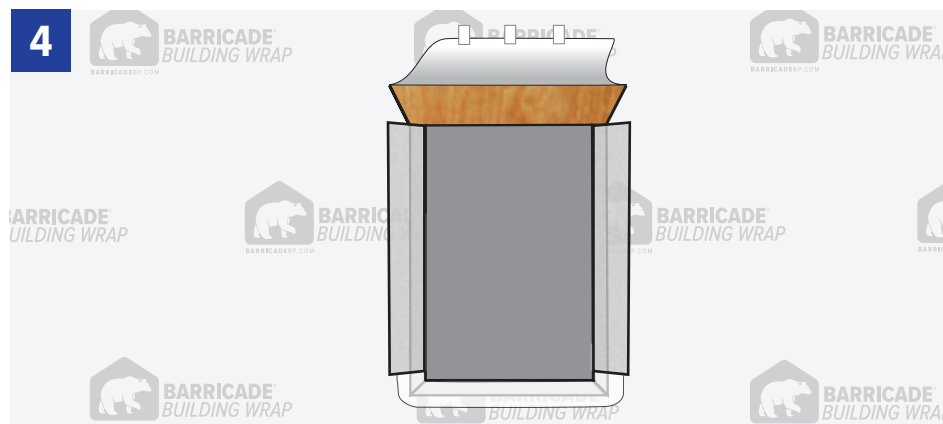
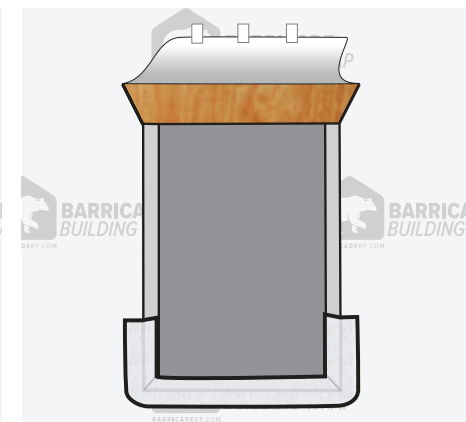


2 **A.** Flip the cut head flap upward to expose the sheathing and temporarily secure with Barricade Seam tape.
B. Use the Barricade Seam tape to hold the Barricade WRB around the rough opening. Alternative cutting Y method is acceptable as well (See Page 11).

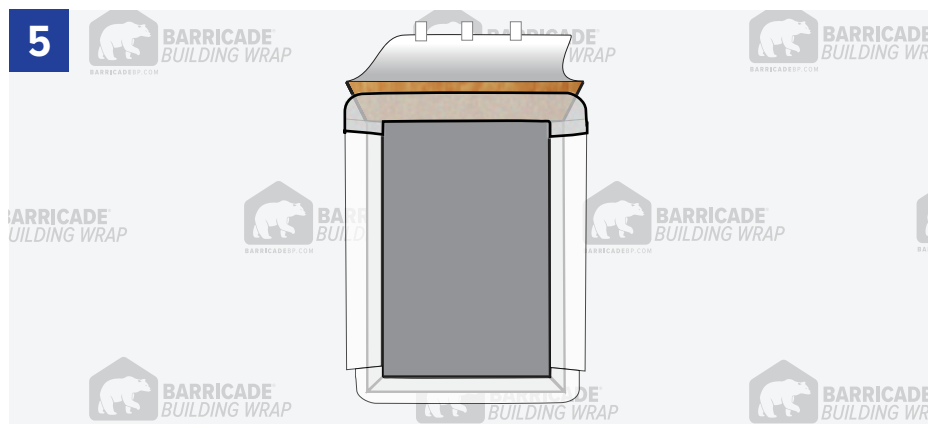


3 Prepare sill flashing by cutting Barricade Flash Conform at least 12" longer than the width of the rough opening. Install sill flashing by removing the release paper, centering sill flashing on sill framing stud, and adhering into rough opening. The back edge of Flash Conform should extend to inside edge of sill framing stud and at least 6" up each jamb framing stud. (Sill flashing should not wrap onto the inside of wall.)

DO NOT stretch material along the sill or jamb. When building wrap or conventional building paper is used as a weather-resistive barrier (WRB) over wall sheathing prior to window and flashing installation, Flash Conform should be applied over the WRB after it has been properly cut and folded in and around the window rough opening.



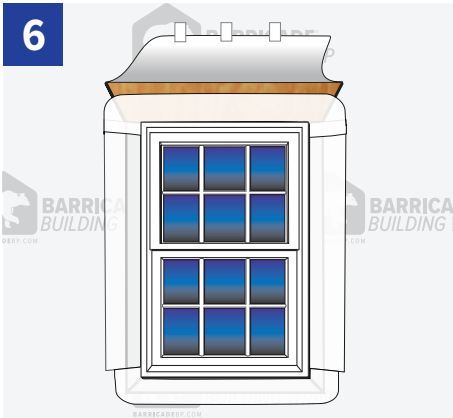
4 **A.** Cut Barricade flashing material to fit within the vertical length of the rough opening.
B. Remove the backing and apply the vertical flashing to cover the wood framing and fold onto the exterior face of the wall adhering to the WRB.
C. Ensure that Jam flashing fully overlaps sill flashing.



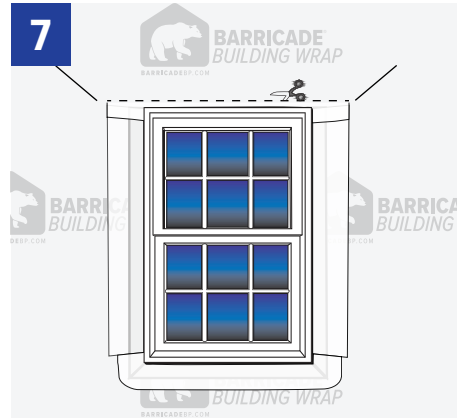
5 **A.** Cut Barricade flashing material that is at least 12" longer than the rough header opening.
B. Remove the backing and align the head flashing with the center interior edge of the header, and adhere to the header and down both vertical jambs.
C. Fold and roll the flashing onto the exterior face of the wall. Avoid stretching the material, and work from the center out to the edges and down the jambs.
D. Ensure head flashing fully overlaps jam flashing.

FLASHING TAPE INSTALLATION

FLANGELESS WINDOWS



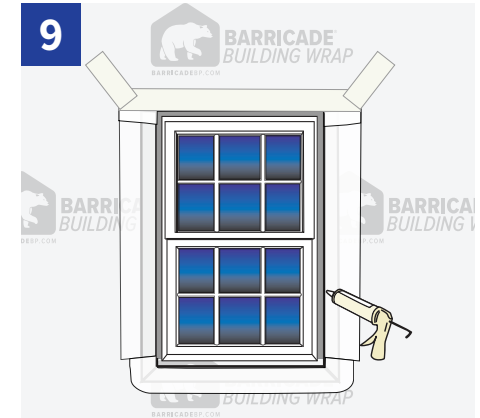
6 Install and shim window into rough opening per manufacturer's instructions. When using sealants or primers, be sure Barricade branded (or compatible) sealant is used.



7 **A.** Release the tape and drape the upper WRB flap onto the window header.
B. Trim across the flap to allow at least 1" overlap of the header flashing.



8 **A.** Apply Barricade flashing over the horizontal flap onto the window face.
B. Apply short strips of Barricade flashing to cover the diagonal cuts in the WRB.



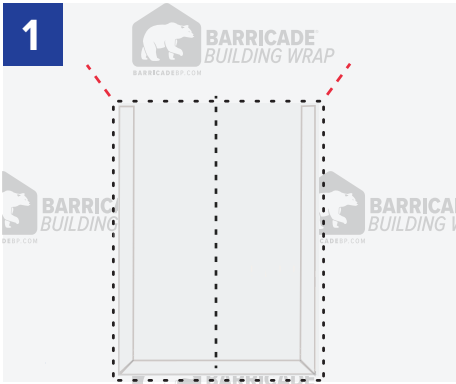
9 Apply sealant along the top and sides of the window between flashing tape and window frame. Do not apply sealant along the bottom of the window to allow water a place to drain.



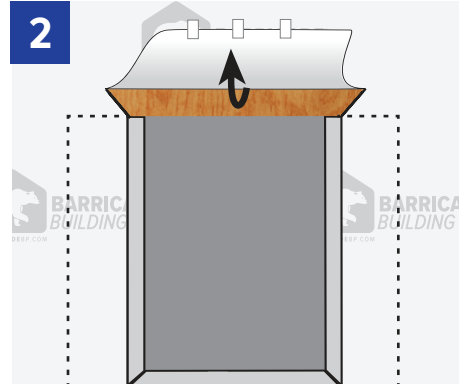
10 Complete the window installation following manufacturer's instructions. Apply a bead of sealant all the way around the window frame and the window opening. If the gap is larger than 3/8" the use of a foam backer or a low expansion foam is acceptable. Do not use a high expansion foam as it can warp the window frame. When using sealants or primers, be sure Barricade branded (or compatible) sealant is used.

FLASHING TAPE INSTALLATION

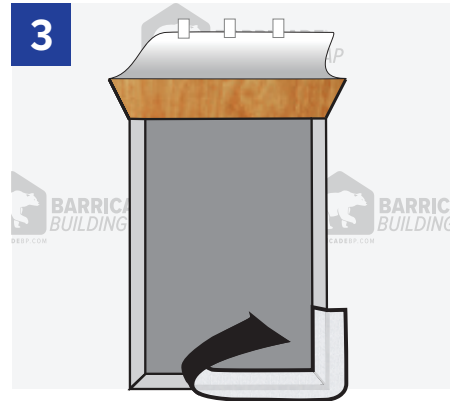
FLANGELESS DOORS



1 Cut out the whole frame. Make diagonal cuts at the top of the rough opening corners. Doors must be installed according to the manufacturer's recommended installation process.

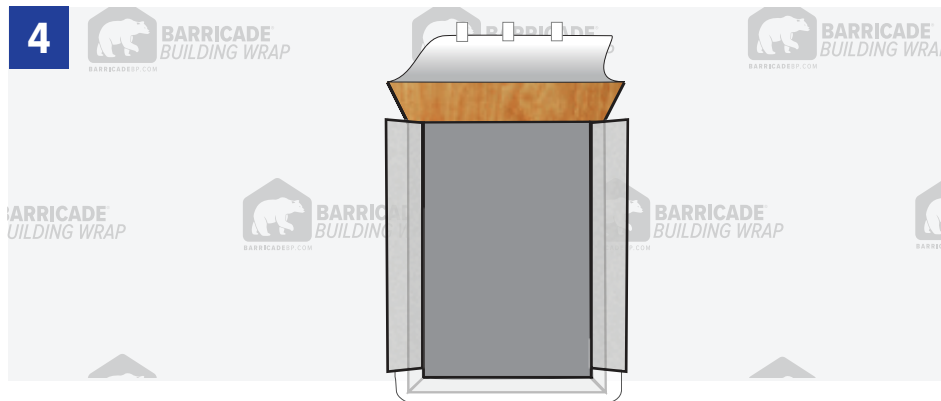
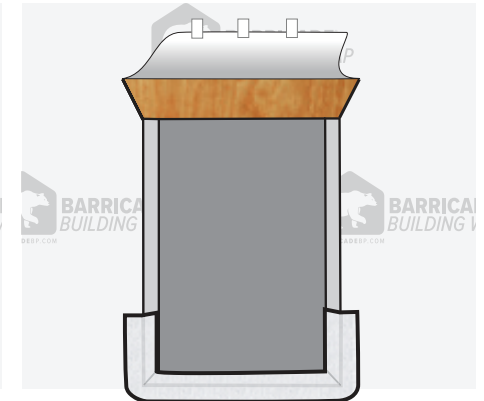


2 **A.** Flip the cut head flap upward to expose the sheathing and temporarily secure with Barricade Seam tape.
B. Use the Barricade Seam tape to hold the Barricade WRB around the rough opening. Alternative cutting Y method is acceptable as well (See Page 11).

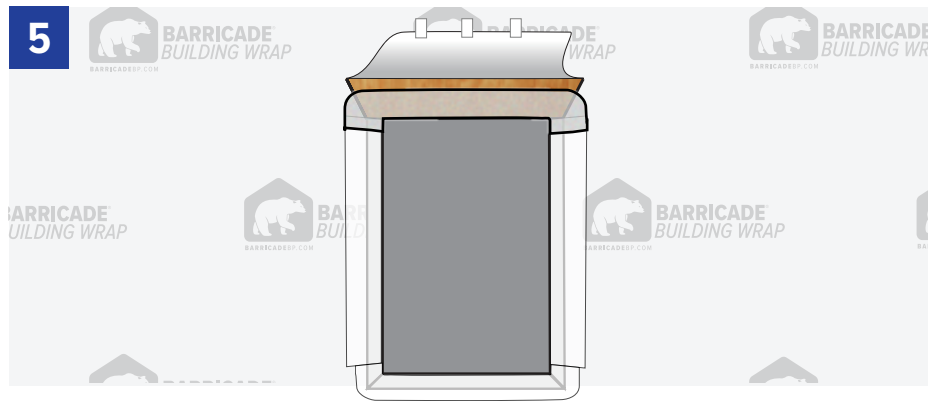


3 Prepare sill flashing by cutting Barricade Flash Conform at least 12" longer than the width of the rough opening. Install sill flashing by removing the release paper, centering sill flashing on sill framing stud, and adhering into rough opening. The back edge of Flash Conform should extend to inside edge of sill framing stud and at least 6" up each jamb framing stud. (Sill flashing should not wrap onto the inside of wall.)

DO NOT stretch material along the sill or jamb. When building wrap or conventional building paper is used as a weather-resistive barrier (WRB) over wall sheathing prior to door and flashing installation, Flash Conform should be applied over the WRB after it has been properly cut and folded in and around the door rough opening.



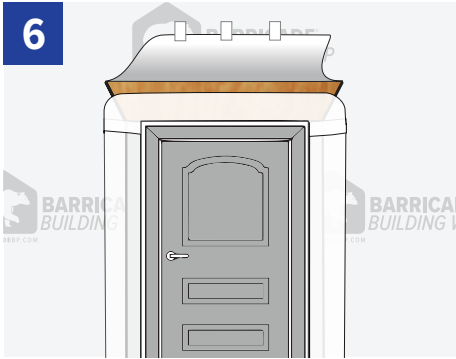
4 **A.** Cut Barricade flashing material to fit within the vertical length of the rough opening.
B. Remove the backing and apply the vertical flashing to cover the wood framing and fold onto the exterior face of the wall adhering to the WRB.
C. Ensure that Jam flashing fully overlaps sill flashing.



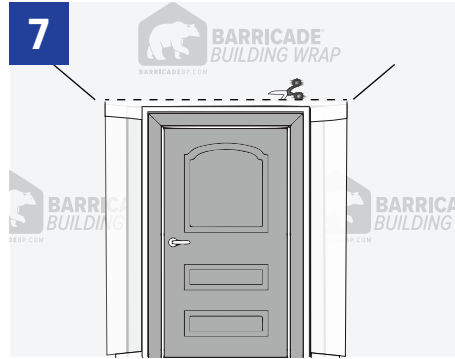
5 **A.** Cut Barricade flashing material that is at least 12" longer than the rough header opening.
B. Remove the backing and align the head flashing with the center interior edge of the header, and adhere to the header and down both vertical jambs.
C. Fold and roll the flashing onto the exterior face of the wall. Avoid stretching the material, and work from the center out to the edges and down the jambs.
D. Ensure head flashing fully overlaps jam flashing.

FLASHING TAPE INSTALLATION

FLANGELESS DOORS

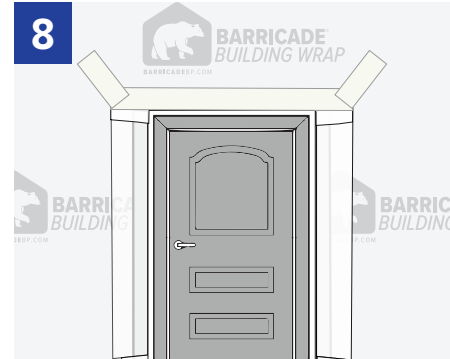


6 Install and shim door into rough opening per manufacturer's instructions. When using sealants or primers, be sure Barricade branded (or compatible) sealant is used.



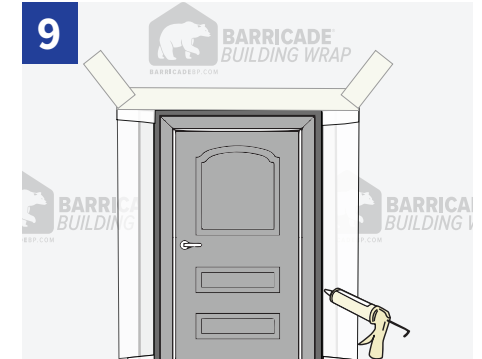
7

- A.** Release the tape and drape the upper WRB flap onto the door header.
- B.** Trim across the flap to allow at least 1" overlap of the header flashing.



8

- A.** Apply Barricade flashing over the horizontal flap onto the door face.
- B.** Apply short strips of Barricade flashing to cover the diagonal cuts in the WRB.



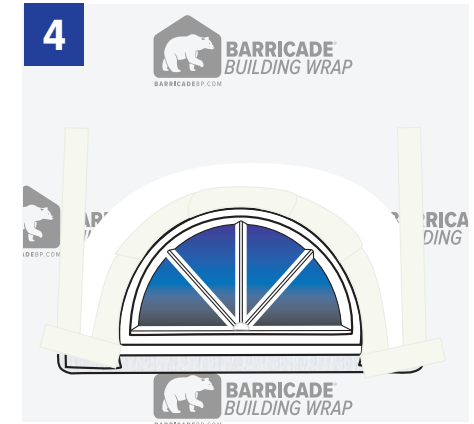
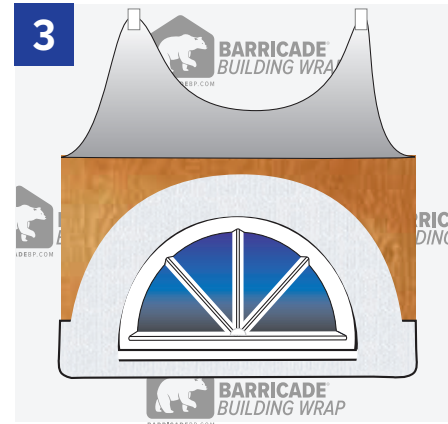
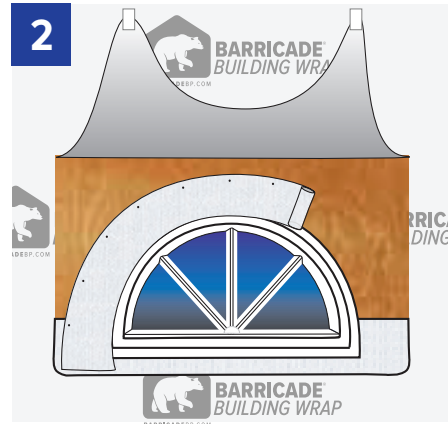
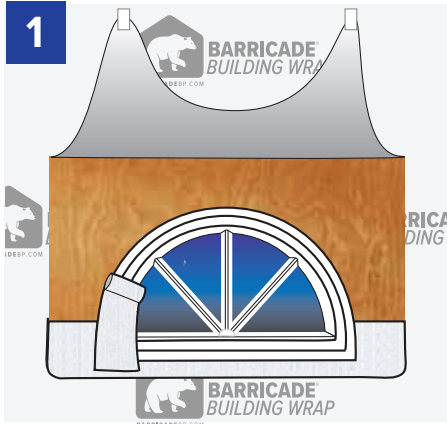
9 Apply sealant along the top and sides of the door between flashing tape and window frame. Do not apply sealant along the bottom of the window to allow water a place to drain.



10 Complete the door installation following manufacturer's instructions. Apply a bead of sealant all the way around the doorframe and the window opening. If the gap is larger than 3/8" the use of a foam backer or a low expansion foam is acceptable. Do not use a high expansion foam as it can warp the door frame. When using sealants or primers, be sure Barricade branded (or compatible) sealant is used.

FLASHING TAPE INSTALLATION

CIRCULAR WINDOWS



Follow above instructions for proper installation pro to head flashing installation. Install circular-top windows according to window manufacturers installation guidelines, then follow instructions below to complete the process.

Measure the circular portion of the window and add 12" to this number. Cut flashing to this length for the head flashing. Remove approximately 20" of release paper and position flashing tightly along the first edge of round window; press firmly into place.

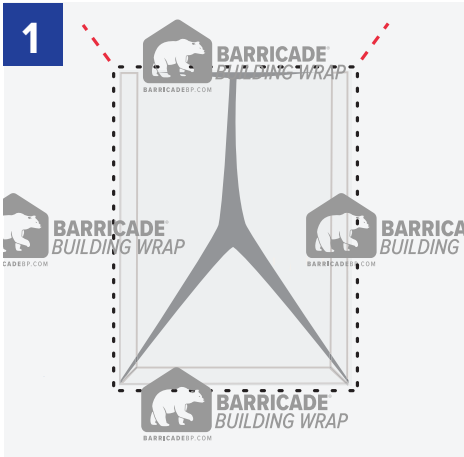
Continue removing release paper and conform Barricade Flash Conform along entire circular portion of window. Use Barricade Seam Tape or mechanical fasteners (i.e. nails, staples, or screws) to temporarily hold top edge of head flashing to wall. Flash Conform's adhesive bond will strengthen over time. Both ends of head flashing should overlap jamb flashings by at least 6".

Note:

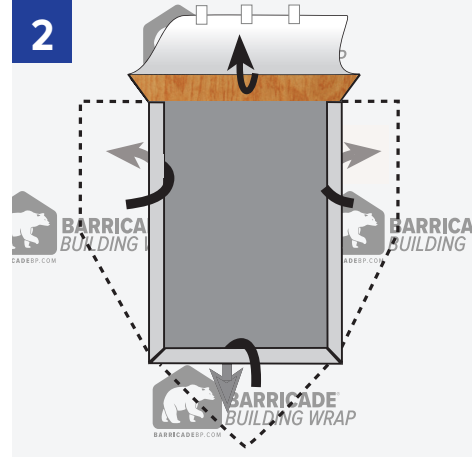
This recommendation refers to the most commonly used types of windows (surface mounted). For other types of frames, special attention should be paid to window manufacturer instructions.

FLASHING TAPE INSTALLATION

ALTERNATIVE WINDOW CUTOUT METHOD



1 Make an inverted Y-cut in the wrap at window rough opening. Make diagonal cuts at the top of the rough opening. Windows must be installed according to the manufacturer's recommended installation process.



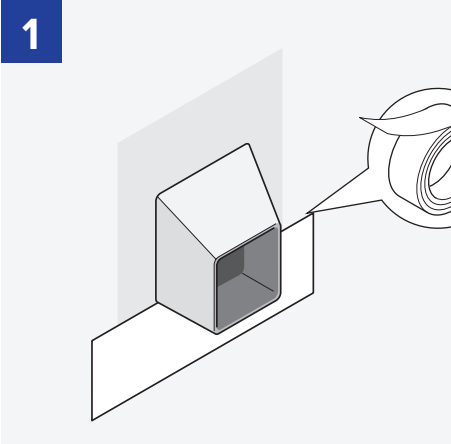
2 Fold the three flaps in through the opening, fastening them inside with staples set about every 6". Fold top flap up and tape temporarily as shown. Proceed to flashing installation (page 8).

FLASHING PENETRATIONS

WHEN INSTALLED BEFORE THE BUILDING WRAP

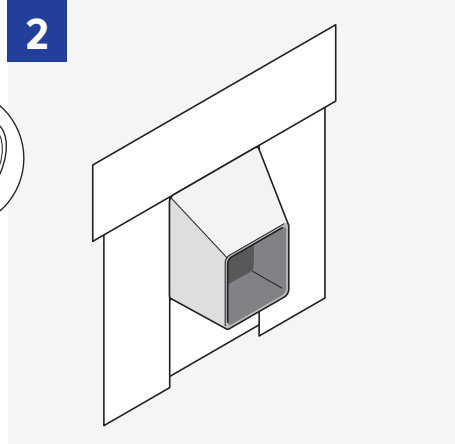
SQUARE PENETRATION

1



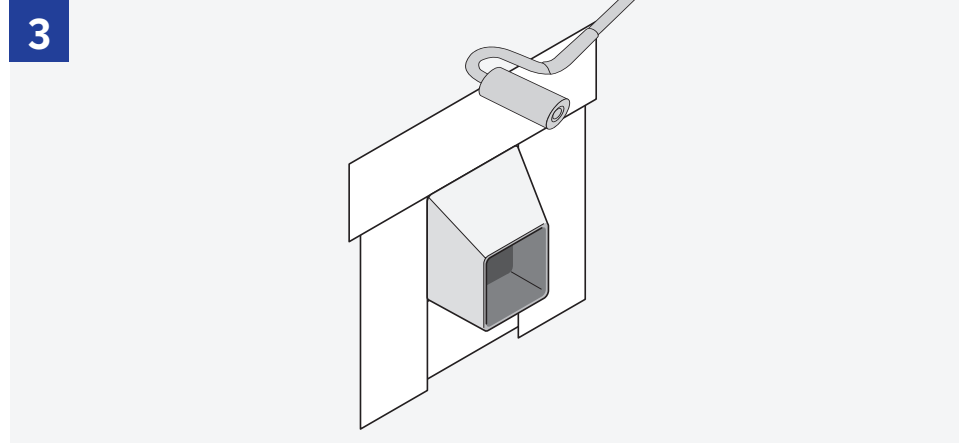
Apply Barricade Window flashing to the bottom of the penetration.

2



Apply Barricade Window flashing along the sides and then the top, shingling each layer.

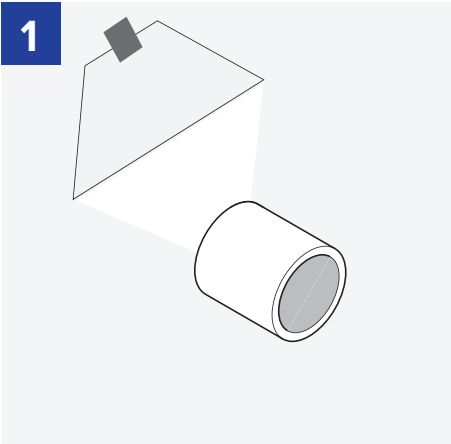
3



Use a roller to apply even pressure along the flashing, being sure to push out any air pockets that may have appeared. Barricade suggests finishing with Barricade Construction Sealant to ensure a tight seal around the edges of the penetration.

ROUND PENETRATION

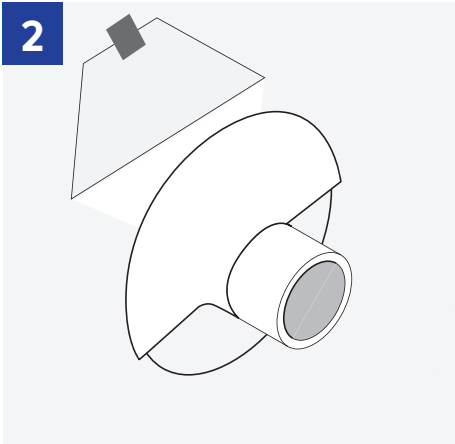
1



Cut two 45° angles and peel back building wrap above the penetration.

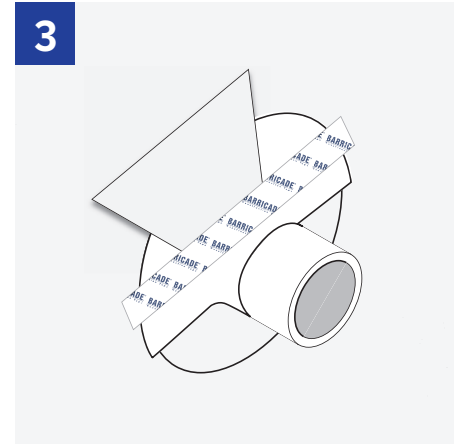
Tip: Use Barricade Seam Tape to hold the flap up while not in use.

2



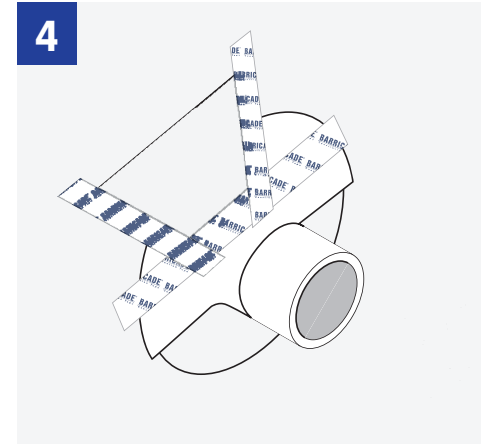
Apply Barricade Flash Conform to the underside of penetration, shingling the above side after. Use a roller to apply even pressure along the flashing.

3



Replace building wrap flap over the flashing and tape across using Barricade Seam Tape.

4

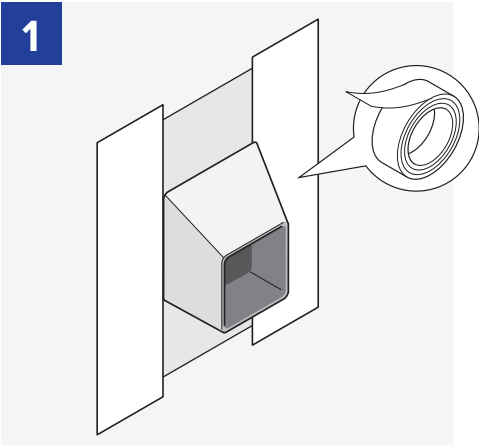


Tape over the 45° cuts using Barricade Seam Tape.

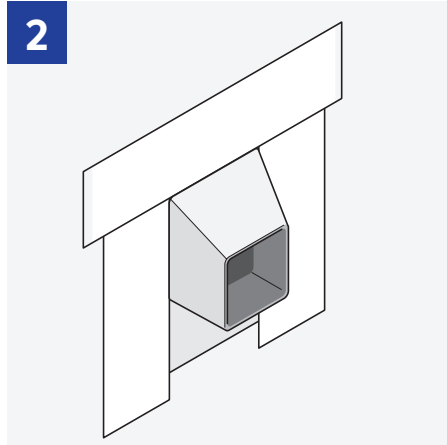
FLASHING PENETRATIONS

WHEN INSTALLED AFTER THE BUILDING WRAP

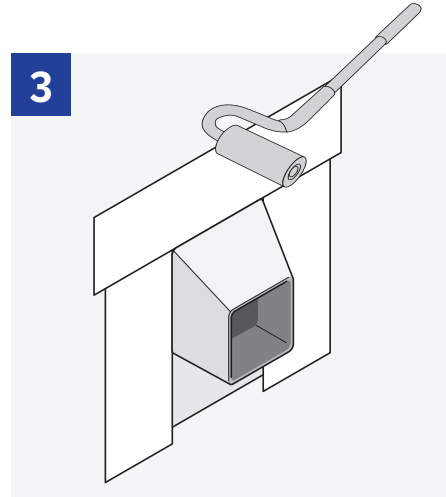
SQUARE PENETRATION

1

Apply Barricade Window flashing along the sides first, leaving the bottom unflashed.

2

Next apply Barricade Window flashing over the top, shingling the side flashing.

3

Use a roller to apply even pressure along the flashing, being sure to push out any air pockets that may have appeared. Barricade suggests finishing with Barricade Construction Sealant to ensure a tight seal around the edges of the penetration.

OTHER DETAILS:

All installation instructions and procedures contained within this brochure are recommended by Barricade Building Products and should be followed. Failure to follow these instructions and procedures may compromise the integrity of the building wrap and impact its performance.

Barricade building wraps are backed by a 10-year limited warranty. Please contact Barricade Building Products for more information.

All Barricade Building Products building wrap is manufactured to meet the full intent of all applicable building codes and their governing bodies.

Barricade is a weather-resistive barrier (WRB) designed to provide a secondary line of defense against bulk water penetration. It is not designed or intended for use as a primary exterior cladding.

Wind-driven rain can penetrate exterior sidings/cladding such as vinyl, wood, brick, aluminum, hardboard, cementitious, etc. Vinyl and aluminum siding are manufactured with built-in weep holes to allow proper drainage of water that gets past it. Wood, hardboard,

and brick exteriors are porous, allowing water to be absorbed into them. Most brick facades also have weep holes built into the wall system to promote water drainage.

Contamination of Barricade Building Products building wrap and various building site chemicals or various sugars and saps found in wood sidings (e.g. cedar) which increase its wettability (e.g. surfactants), will adversely affect the building wrap's water-resistive capability and its contribution to the overall water resistance of the wall system. Surfactants can be defined as substances which adversely impact and contaminate the surface tension of a given building wrap or building paper by raising their surface energy which allows liquid to "wet" the surface more easily. Where wood sidings, such as cedar, are concerned, it is strongly recommended that both priming or back coating of the siding be performed. This helps isolate the surfactants in the wood from the building wrap or building paper surface. In addition to back priming/coating, an airspace should also be created between the siding and building wrap. Providing some form of airspace between the wood trim, siding, and clapboards and the building wrap using furring or some other form of spacer

reduces the quantity and time liquid phase for any water that is trapped in the exterior wall assembly, thereby reducing the potential for surfactant movement.

Any rips, tears, breaks, holes, etc. that happen during normal construction should be repaired by taping or patching. Other holes, gaps, or cracks created in the exterior wall around items such as faucets, dryer vents, electrical outlets, etc. should also be properly taped, flashed, and sealed. Any of these occurrences that go unrepaired will diminish the building wrap's performance and contribution to the overall water-resistance of the wall system.

Standard fasteners, such as nails and staples, used to apply Barricade can reduce the building wraps water-resistive characteristics. Barricade Building Products encourages the use of plastic cap nails to improve the seal around the fastener and enhance the protection against water penetration at the fastener location.

All horizontal overlaps of building wrap must be at least 2" and vertical overlaps must at least be 6". Porous sidings such as brick, wood, hardboard and some others allow water penetration and have

the ability to store water due to their hygroscopic nature.

The information contained in this installation guide is to the best of our knowledge, true and accurate and is presented in good faith. Barricade Building Products assumes no liability, expressed or implied as to the architecture, engineering, or workmanship of any project. This information may be concurrent with, or superseded by other applicable documents.

Contact Barricade Building Products for further information or technical support at 877-832-0333.

