



# TAPES AND FLASHING.

## *INSTALLATION GUIDE*

### TABLE OF CONTENTS

#### PRODUCTS & SPECIFICATIONS

- 2** BARRICADE® PRODUCTS
- 3** PRODUCT SPECIFICATIONS

#### FLASHING TAPE

- 4** INSTALLATION
- 6** FLASHING CORNERS
- 7-8** FLASHING PENETRATIONS

#### OTHER

- 9** OTHER DETAILS

# BARRICADE® PRODUCTS

## FLASHING



**BARRICADE®  
FLASH RIGHT**

### **BARRICADE® FLASH RIGHT**

*A high-performance, asphalt-based window and door flashing tape designed to provide a permanent, weather-tight seal to protect from moisture, leaks, and air penetration.*



**BARRICADE®  
FLASH ULTI**

### **BARRICADE® FLASH ULTI**

*Our top-of-the-line flashing tape offers the ultimate protection for windows and doors. The 100% butyl rubber adhesive creates a permanent, flexible, weatherproof seal, while the UV inhibitors protect against the sun's harmful rays.*



**BARRICADE®  
FLASH CONFORM**

### **BARRICADE® FLASH CONFORM**

*A highly stretchable flashing tape with an aggressive, slower-acting butyl rubber adhesive that conforms around radii and corners while providing maximum protection from water intrusion.*



**BARRICADE®  
FLASH EXTREME**

### **BARRICADE® FLASH EXTREME**

*Extremely aggressive, self-adhering flashing membrane designed to protect windows and doors from moisture penetration.*



**BARRICADE®  
FLASH CORNERS**

### **BARRICADE® FLASH CORNERS**

*Precut Barricade Sill Corners provide a quick, easy, and economical seal at transitions between building envelope components.*

## ADDITIONAL MATERIALS



**BARRICADE®  
SEAM TAPE**

### **BARRICADE® SEAM TAPE**

*A thin, strong film-coated tape with a cold-weather adhesive system for added protection against energy-robbing air infiltration and exterior moisture penetration.*



**BARRICADE®  
CONSTRUCTION SEALANT**

### **BARRICADE® CONSTRUCTION SEALANT**

*The perfect partner to Barricade tapes — a flexible, waterproof, door and window sealant for framework and joints.*

# SPECIFICATION OVERVIEW

	Composition	Roll Length	Roll Widths	Rolls Per Case	Total Thickness	Tensile Strength	Application Temperature Range	Operating Temperature Range	Warranty	Nail Sealability	Shelf Life	UV Exposure Rating
<b>BARRICADE FLASH ULTI</b>	Polyolefin faced, peel-and-stick flashing tape using butyl rubber adhesive	75'	4" 6" 9" 12"	6 6 3 4	13.5 mils	60 lb/in	30°F–180°F	-30°F–200°F	20-Year Limited Warranty	Pass	12 Months	Up to 365 days
<b>BARRICADE FLASH CONFORM</b>	Polyolefin film backing, butyl-based adhesive, polyethylene liner	75'	6" 8"	1	50 mils	> 400psi	40°F–180°F	-30°F–200°F	20-Year Limited Warranty	Pass	12 Months	Up to 365 days
<b>BARRICADE FLASH RIGHT</b>	White polyolefin-faced, using SBS asphalt adhesive	75'	4" 6" 9" 12" 18"	9 6 4 3 2	20 mils	12 lb/in (ASTM D412)	40°F–160°F		20-Year Limited Warranty	Pass	12 Months	180 days
<b>BARRICADE FLASH EXTREME</b>	Non-asphaltic, copolymer flashing tape using pressure-sensitive adhesive	75'	4" 6" 9" 12"	12 8 4 4	15 mils		-30°F–150°F		20-Year Limited Warranty	Pass	18 Months	180 days
<b>BARRICADE FLASH CORNERS</b>	Non-asphaltic, copolymer flashing tape using pressure-sensitive adhesive	N/A	N/A	N/A	15 mils		-30°F–150°F		20-Year Limited Warranty	Pass	18 Months	180 days
<b>BARRICADE SEAM TAPE</b>	Polypropylene film coated with a cold-weather acrylic adhesive system	165'	1 7/8" 3"	16	3 mils	30 lb/in	14°F–122°F	-40°F–212°F	20-Year Limited Warranty	Pass	12 Months	180 days
<b>BARRICADE® CONSTRUCTION SEALANT</b>	One-component, solvent-free Silyl Modified Polyether (hybrid) sealant	N/A	N/A	24	N/A	N/A	N/A	N/A	1-year Limited Warranty	Pass	12 Months	

# BUILDING WRAP INSTALLATION

Over OSB or Equivalent Sheathing

## CONSIDERATIONS

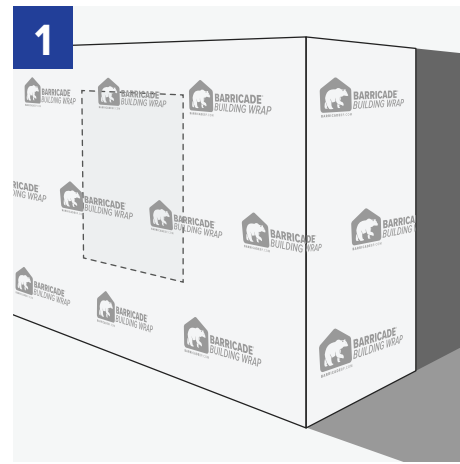
Barricade building wrap can be installed over wood-based, foam insulative, or fiberboard sheathing, exterior gypsum board, or directly over studs if not using continuous sheathing.

Install building wrap with the printed side facing out, in “shingle-lap” fashion, with the higher piece lapped over the outside of the piece below.

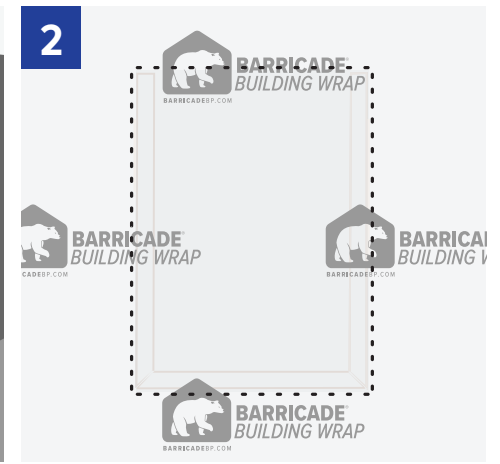
All horizontal overlaps of building wrap must be at least 2" (4" is recommended) and vertical overlaps must be at least 6".

At roof sections, be careful to lap the building wrap over the entire top of any step flashed areas against the wall.

We recommend using Barricade flashing products minimum 6" in width.

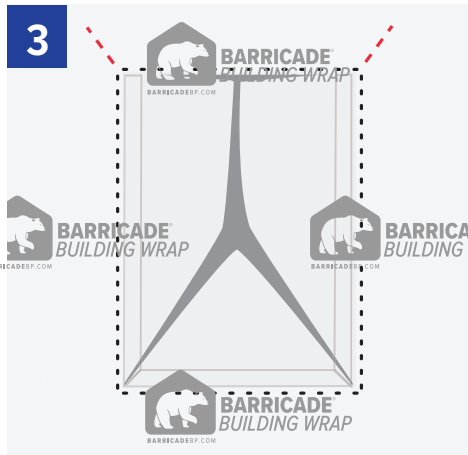
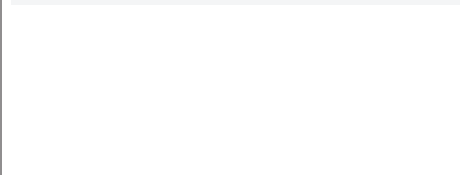
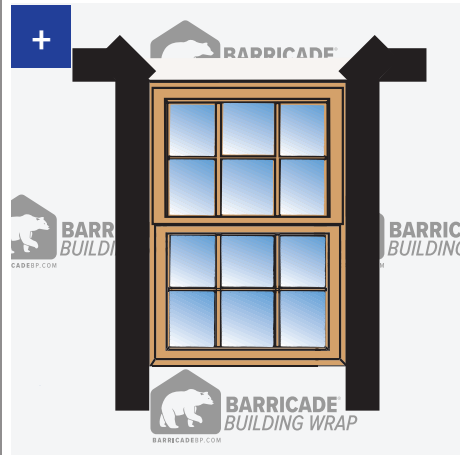


1 Start by placing the roll 2-3' (feet) from the corner and fasten using staples, large-headed nails, or roofing nails spaced a maximum of 18" (inches) on center.

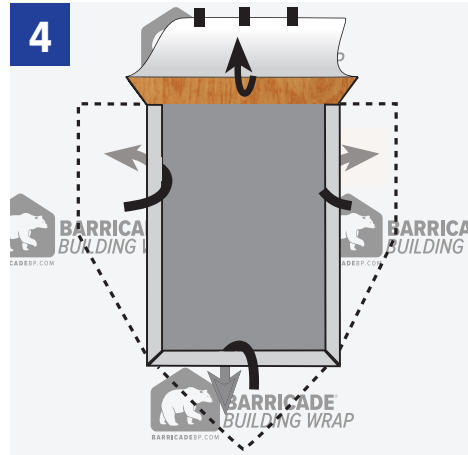


2 Unroll the wrap around the building and fasten with nails or staples, spaced a maximum of 32" on center.

When used over foam insulation boards, the sheet must be fastened with roofing nails or other large-headed nails long enough to penetrate through the insulation, into the framing studs.



3 Make an inverted Y-cut in the wrap at window rough opening. Make diagonal cuts at the top of the rough opening. Windows must be installed according to the manufacturer's recommended installation process.



4 Fold the three flaps in through the opening, fastening them inside with staples set about every 6". Fold top flap up and tape temporarily as shown. Proceed to flashing installation (page 6).

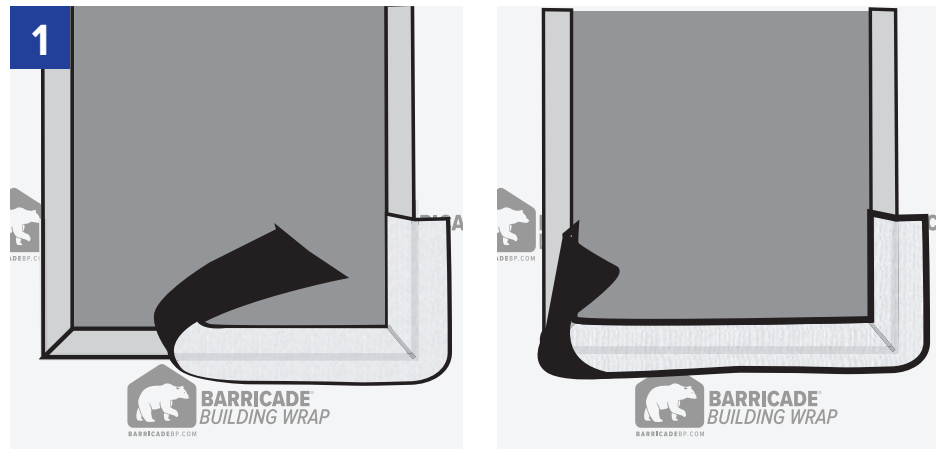
## BARRICADE® BUILDING WRAP APPLICATION WITH EXISTING WINDOWS

1. Create a top flap so that the head flashing can be installed under the wrap and over the flange.
2. Leave the bottom unflashed, allowing moisture to escape.
3. On both sides, trim the wrap close to the window flange and secure it to the flange with tape or sealant, then install side flashing.
4. Install head flashing and extend out 3-4" to each side, then tape flap over.

(Note: Tape and sealant should only be used for securing purposes and should not be used as primary flashing material.)

# FLASHING TAPE INSTALLATION

FOR  
 BARRICADE® FLASH RIGHT  
 BARRICADE® FLASH ULTI  
 BARRICADE® FLASH CONFORM  
 BARRICADE® FLASH EXTREME

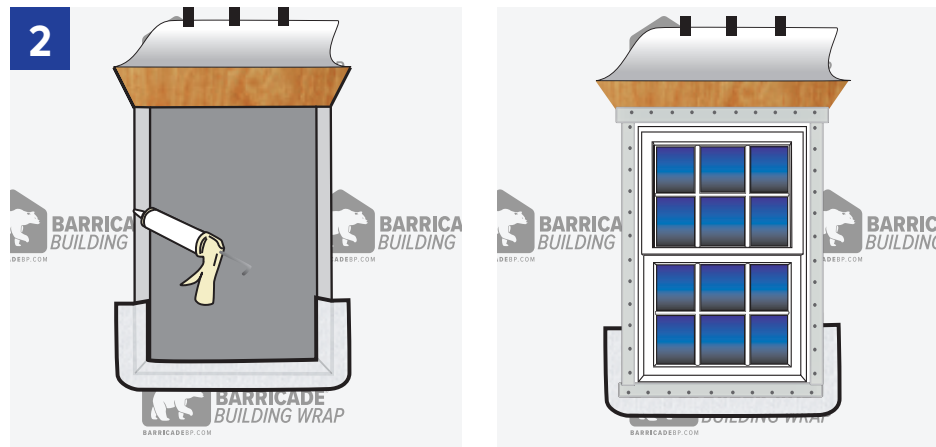


## BARRICADE® FLASHING

Prepare sill flashing by cutting Barricade Flash Conform at least 12" longer than the width of the rough opening. Install sill flashing by removing the release paper, centering sill flashing on sill framing stud, and adhering into rough opening. The back edge of Flash Conform should extend to inside edge of sill framing stud and at least 6" up each jamb framing stud. (Sill flashing should not wrap onto the inside of wall.) DO NOT stretch material along the sill or jamb. When Building Wrap or conventional building paper is used as a weather-resistive barrier (WRB) over wall sheathing prior to window and flashing installation, Flash Conform should be applied over the WRB after it has been properly cut and folded in and around the window rough opening.

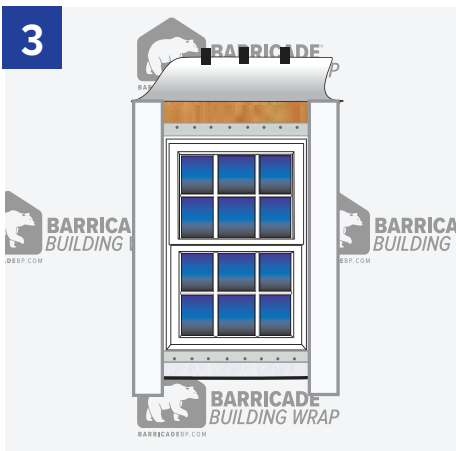
### NOTE:

If a WRB will be applied after the window and flashing have already been installed, be sure not to fasten the lower edge of the flashing so that the WRB may be slipped underneath the flashing in weatherboard or shingle lap fashion (i.e., top layer overlapping bottom layer).



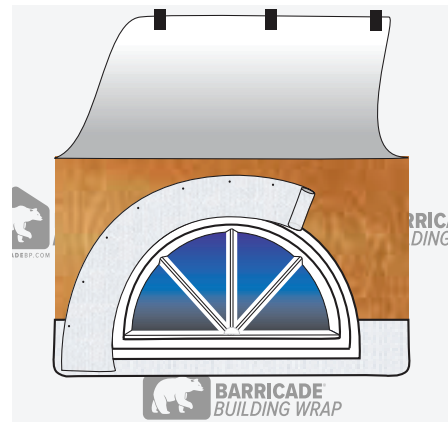
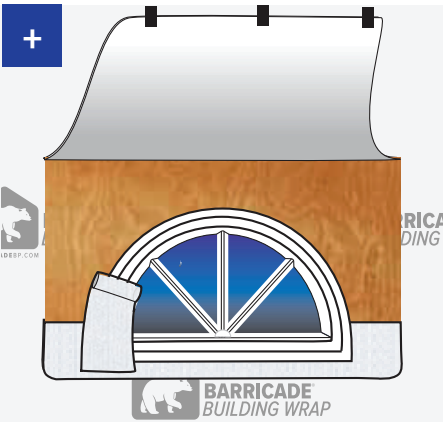
## WINDOW AND DOOR INSTALLATION

Before installing the window, either (A) apply a continuous bead of sealant to the backside (interior) of the mounting flange near the outer edge, or (B) apply a continuous seal to the rough window opening at a point to assure contact with the backside (interior) of the mounting flange. DO NOT seal along bottom. Install window according to manufacturer's installation procedures. Use of Barricade Construction Sealant is recommended.



### SIDE JAM FLASHING

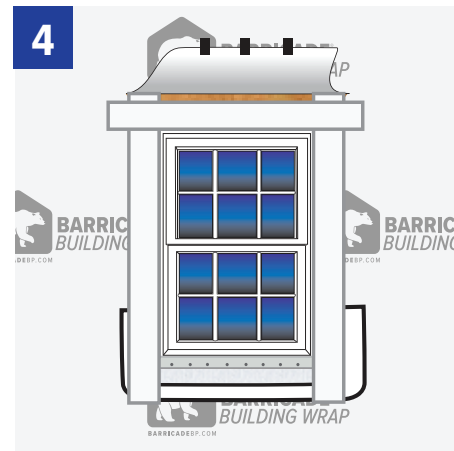
Utilizing a roller to provide firm, consistent pressure, apply Barricade window flashing along vertical sides of the opening. Flash over the side window flanges. Extend the flashing a minimum of 3" beyond the sill flashing already in place and extend the flashing you're using a minimum of 3" beyond the top of the opening, so that it projects beyond the head flashing to be applied later.



### CIRCULAR WINDOWS

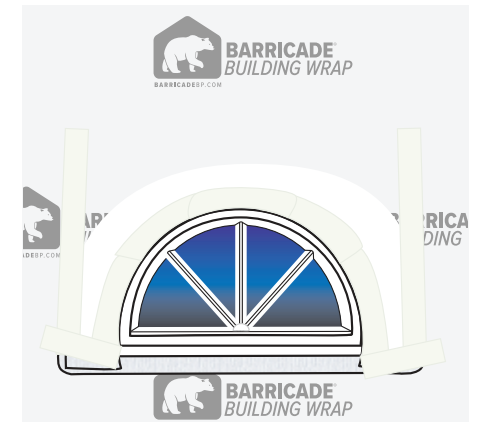
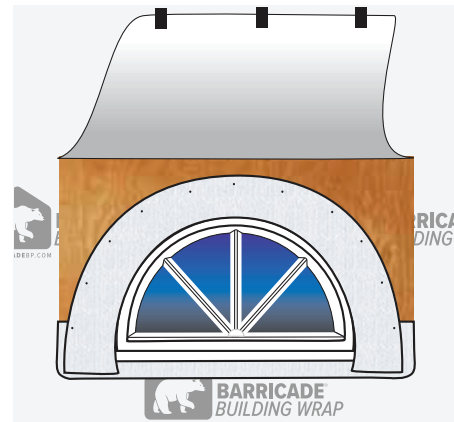
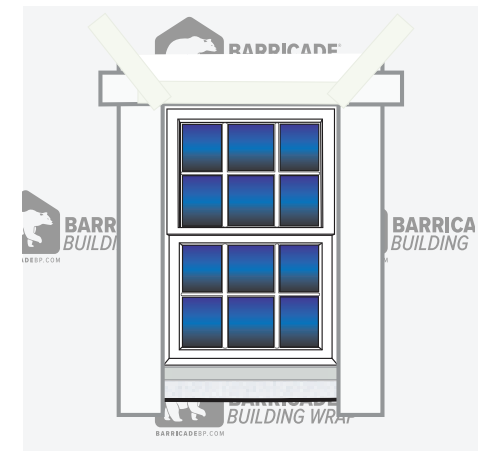
Follow above instructions for proper installation pro to head flashing installation. Install circular-top windows according to window manufacturers installation guidelines, then follow instructions below to complete the process.

Measure the circular portion of the window and add 12" to this number. Cut flashing to this length for the head flashing. Remove approximately 20" of release paper and position flashing tightly along the first edge of round window; press firmly into place.



### HEAD FLASHING

Affix the bottom of the head flashing over the mounting flange. Be sure to extend the flashing beyond each jamb flashing. Secure in place by applying pressure. Unattach Building Wrap and apply over head flashing as shown. Tape all seams and joints.



Continue removing release paper and conform Barricade Flash Conform along entire circular portion of window. Use Barricade Seam Tape or mechanical fasteners (i.e. nails, staples, or screws) to temporarily hold top edge of head flashing to wall. Flash Conform's adhesive bond will strengthen over time. Both ends of head flashing should overlap jamb flashings by at least 6".

#### Note:

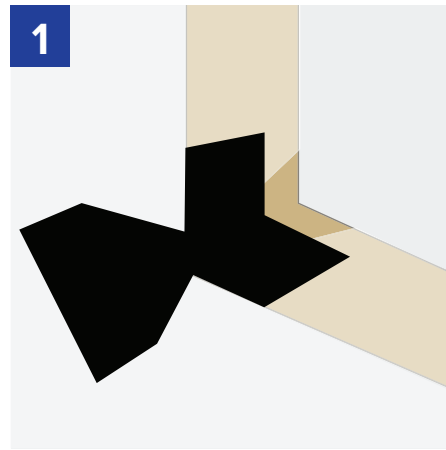
This recommendation refers to the most commonly used types of windows (surface mounted). For other types of frames, special attention should be paid to window manufacturer instructions.

# FLASHING CORNERS

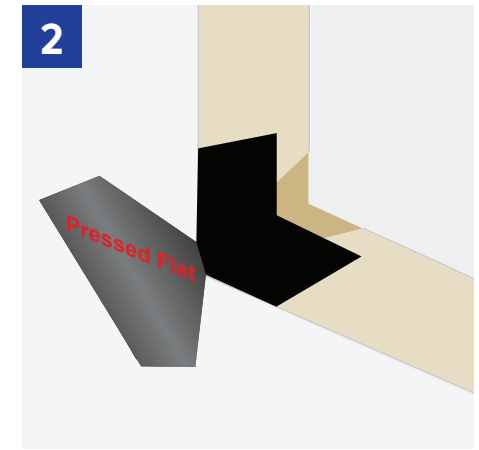
FOR  
BARRICADE® FLASH CORNERS

## PREPARATORY WORK

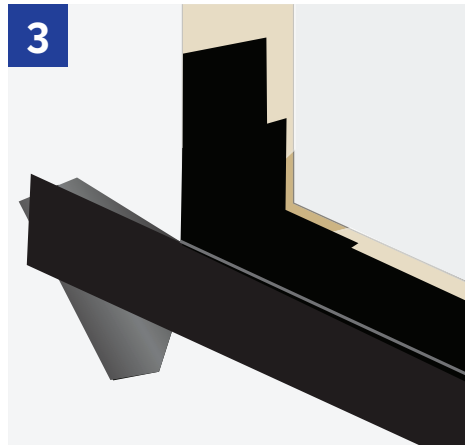
A spray adhesive, such as Nashua 357, is recommended when Barricade Flash Corners are applied directly to Oriented Strand Board (OSB) or other surfaces where additional adhesion is needed or required.



1 Peel back paper-release liner and discard. Adhere square-edged side of Barricade Flash Corners to a front, inside sill corner. Ensure the front edge of the material is flush with the front edge of the window opening.



2 Smooth the dove-tailed edge of the Flash Corners over the sill and adhere to the vertical wall face. Make certain any bubbles or wrinkles are smoothed out.



3 Repeat Steps 1-3 for the other corner of the window. Overlap the horizontal flanges of Barricade Flash Corners with a measured piece of Barricade Flash Ulti or Barricade Flash Extreme window flashing. Flash remaining portion of window per the building code.

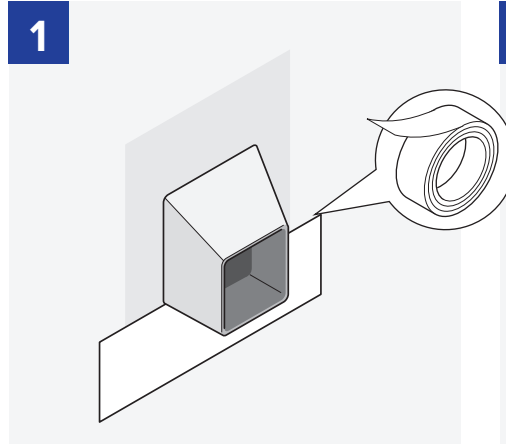
## IMPORTANT TO NOTE

Avoid contact with residual asphaltic products (mastics or primers), such as coatings and other roofing products. 15-pound felt paper or building paper may be used with Barricade Flash Corners. Make sure overlaps are in the direction of moisture drainage

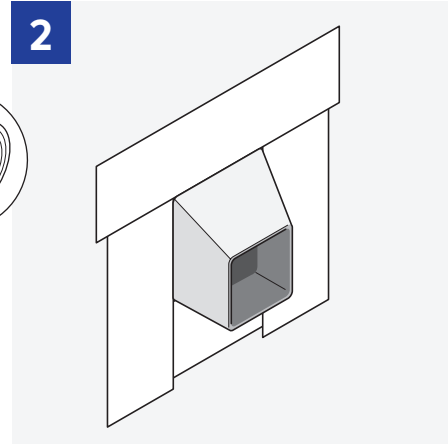
# FLASHING PENETRATIONS

WHEN INSTALLED  
UNDER THE BUILDING WRAP

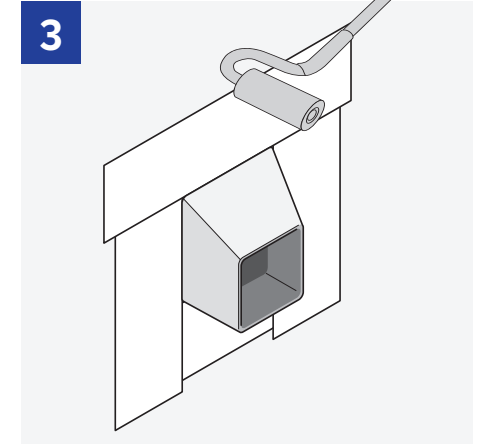
## SQUARE PENETRATION



1 Apply flashing to the bottom of the penetration. We recommend using Barricade Flash Ulti, Barricade Flash Extreme, or Barricade Flash Right.

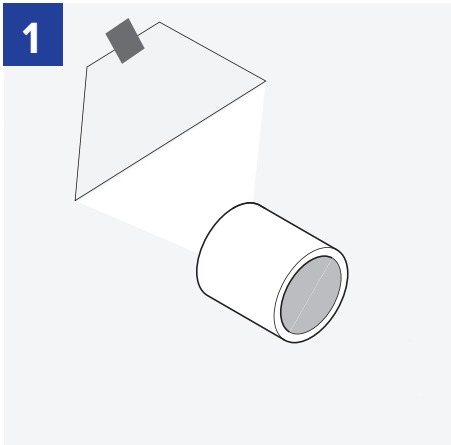


2 Apply flashing along the sides and then the top, shingling each layer.



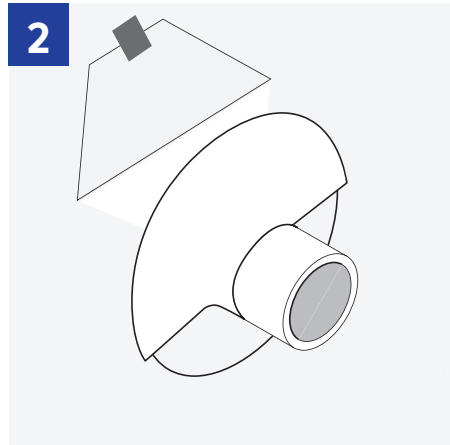
3 Use a roller to apply even pressure along the flashing, being sure to push out any air pockets that may have appeared. Barricade suggests finishing with Barricade Construction Sealant commercial sealant to ensure a tight seal around the edges of the penetration.

## ROUND PENETRATION

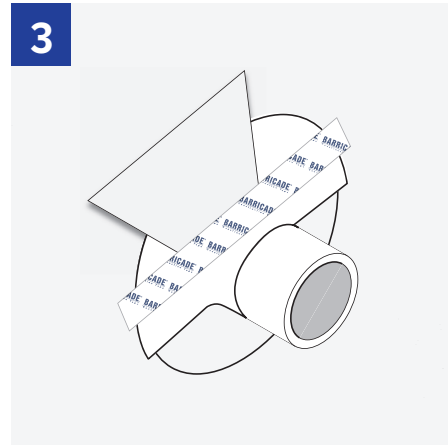


1 Cut two 45° angles and peel back Building Wrap above the penetration.

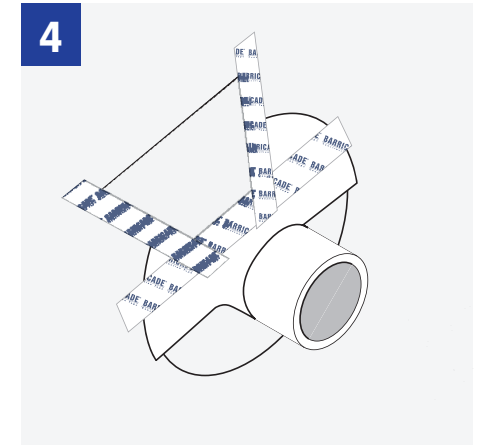
Tip: Use Barricade Seam Tape to hold the flap up while not in use.



2 Apply Barricade Flash Conform to the underside of penetration, shingling the above side after. Use a roller to apply even pressure along the flashing.



3 Replace building wrap flap over the flashing and tape across using Barricade Seam Tape.

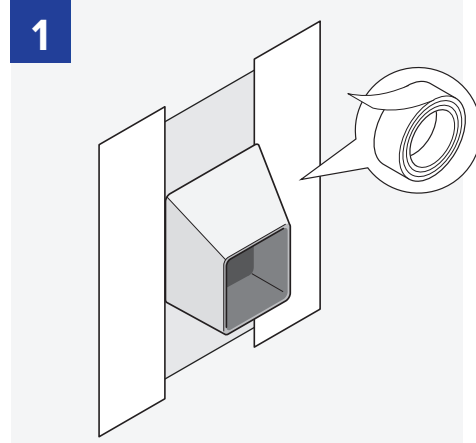


4 Tape over the 45° cuts using Barricade Seam Tape.

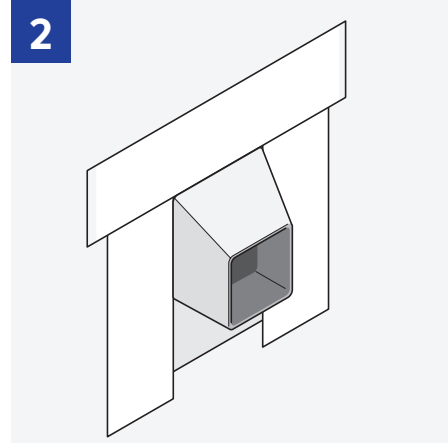
# FLASHING PENETRATIONS

WHEN INSTALLED  
OVER THE BUILDING WRAP

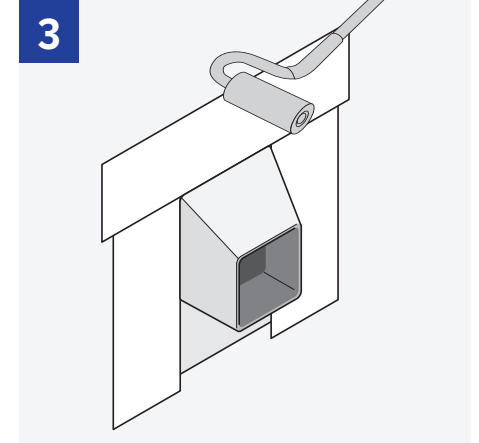
## SQUARE PENETRATION



1 Apply flashing along the sides first, leaving the bottom unflashed. We recommend using Barricade Flash Ulti, Barricade Flash Extreme, or Barricade Flash Right.



2 Next apply flashing over the top, shingling the side flashing.



3 Use a roller to apply even pressure along the flashing, being sure to push out any air pockets that may have appeared. Barricade suggests finishing with Barricade Construction Sealant commercial sealant to ensure a tight seal around the edges of the penetration.

## OTHER DETAILS:

All installation instructions and procedures contained within this brochure are recommended by Barricade Building Products and should be followed. Failure to follow these instructions and procedures may compromise the integrity of the product and impact its performance. All Barricade Building Products are manufactured to meet the full intent of all applicable building codes and their governing bodies.

Any rips, tears, breaks, holes, etc. that happen during normal construction should be repaired by taping or patching. Other holes, gaps, or cracks created in the exterior wall around items such as faucets, dryer vents, electrical outlets, etc. should also be properly taped, flashed, and sealed. Any of these occurrences that go unrepaired will diminish the products performance and contribution to the overall water-resistance of the wall system.

It's always a wise construction practice to use and integrate properly installed flashings around all window and door openings as well as other exterior penetrations as part of an overall design strategy to control moisture movement and transport. Please contact your builder or Barricade Building Products for more details.

The information contained in this installation guide is to the best of our knowledge, true and accurate and is presented in good faith. Barricade Building Products assumes no liability, expressed or implied as to the architecture, engineering, or workmanship of any project. This information may be concurrent with, or superseded by other applicable documents.

**Contact Barricade Building Products for further information or technical support at 877-832-0333.**

