



LIQUID FLASHING.

INSTALLATION GUIDE

TABLE OF CONTENTS

PRODUCTS & SPECIFICATIONS

- 2** BARRICADE® PRODUCTS
- 3** PRODUCT SPECIFICATIONS

FLASHING INSTALLATION

- 4** INSTALLATION
- 8-13** LIQUID FLASHING INSTRUCTIONS

OTHER

- 14** OTHER DETAILS

BARRICADE[®] PRODUCTS

FLASHING



A high-performance, asphalt-based window and door flashing tape designed to provide a permanent, weather-tight seal to protect from moisture, leaks, and air penetration.



Extremely aggressive, self-adhering flashing membrane designed to protect windows and doors from moisture penetration.



Our top-of-the-line flashing tape offers the ultimate protection for windows and doors. The 100% butyl rubber adhesive creates a permanent, flexible, weatherproof seal, while the UV inhibitors protect against the sun's harmful rays.



A highly stretchable flashing tape with an aggressive, slower-acting butyl rubber adhesive that conforms around radii and corners while providing maximum protection from water intrusion.



Extremely aggressive, self-adhering flashing membrane designed to protect windows and doors from moisture penetration.

ADDITIONAL MATERIALS



A thin, strong film-coated tape with a cold-weather adhesive system for added protection against energy-robbing air infiltration and exterior moisture penetration.



The perfect partner to Barricade tapes — a flexible, waterproof, door and window sealant for framework and joints.

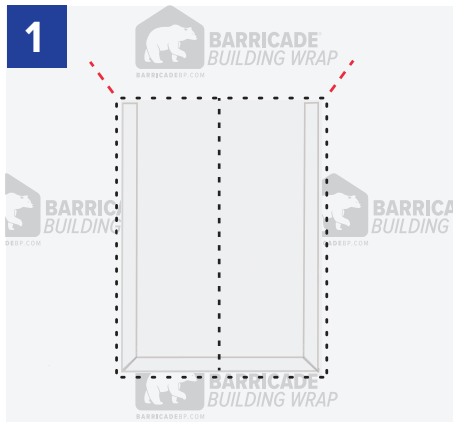
SPECIFICATION OVERVIEW

	Composition	Roll Length	Roll Widths	Rolls Per Case	Total Thickness	Tensile Strength	Application Temperature Range	Operating Temperature Range	Warranty	Nail Sealability	Shelf Life	UV Exposure Rating
BARRICADE FLASH ULTI	Polyolefin faced, peel-and-stick flashing tape using butyl rubber adhesive	75'	4" 6" 9" 12"	6 6 3 4	20 mils	60 lb/in	0°F–150°F	-30°F–200°F	20-Year Limited Warranty	Pass	12 Months	Up to 365 days
BARRICADE FLASH CONFORM	Polyolefin film backing, butyl-based adhesive, polyethylene liner	75'	6" 8"	1	50 mils	> 400psi	40°F–180°F	-30°F–200°F	20-Year Limited Warranty	Pass	12 Months	Up to 365 days
BARRICADE FLASH RIGHT	White polyolefin-faced, using SBS asphalt adhesive	75'	4" 6" 9" 12" 18"	9 6 4 3 2	20 mils	12 lb/in (ASTM D412)	40°F–160°F		20-Year Limited Warranty	Pass	12 Months	180 days
BARRICADE FLASH EXTREME	Non-asphaltic, copolymer flashing tape using pressure-sensitive adhesive	75'	4" 6" 9" 12"	12 8 4 4	15 mils		-30°F–150°F		20-Year Limited Warranty	Pass	18 Months	180 days
BARRICADE SEAM TAPE	Polypropylene film coated with a cold-weather acrylic adhesive system	165'	1 7/8" 3"	16	3 mils	30 lb/in	14°F–122°F	-40°F–212°F	20-Year Limited Warranty	Pass	12 Months	180 days
BARRICADE CONSTRUCTION SEALANT	One-component, solvent-free Silyl Modified Polyether (hybrid) sealant	N/A	N/A	24	N/A	N/A	N/A	N/A	1-year Limited Warranty	Pass	12 Months	12 Months
BARRICADE LIQUID FLASHING	One-component, solvent-free Silyl Modified Polyether (hybrid) sealant	N/A	10oz 20oz	20	N/A	N/A	>40°F >4.4°C	-40°F–200°F	1-year Limited Warranty	Pass	12 Months	12 Months

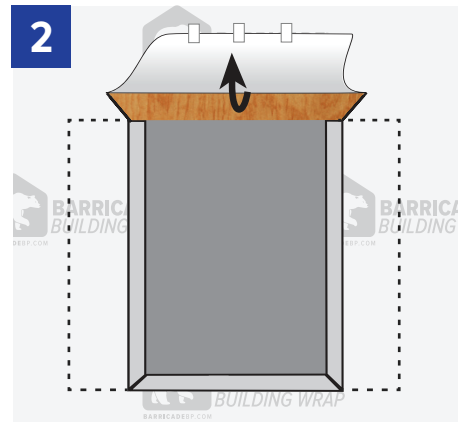
FLASHING INSTALLATION

FLANGED WINDOW INSTALLATION

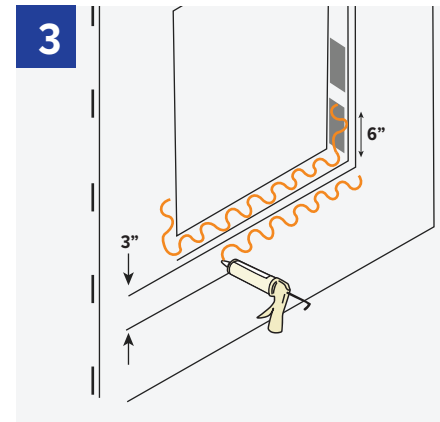
FOR BARRICADE® FLASH RIGHT, BARRICADE® FLASH ULTI, BARRICADE® FLASH CONFORM, BARRICADE® FLASH EXTREME



1 Cut out the whole frame. Make diagonal cuts at the top of the rough opening corners. Windows must be installed according to the manufacturer's recommended installation process.

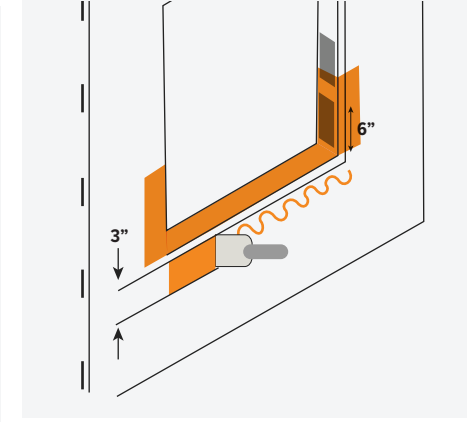


2 **A.** Flip the cut head flap upward to expose the sheathing and temporarily secure with Barricade Seam tape.
B. Use the Barricade Seam tape to hold the Barricade WRB around the rough opening. Alternative cutting Y method is acceptable as well (See Page 11).



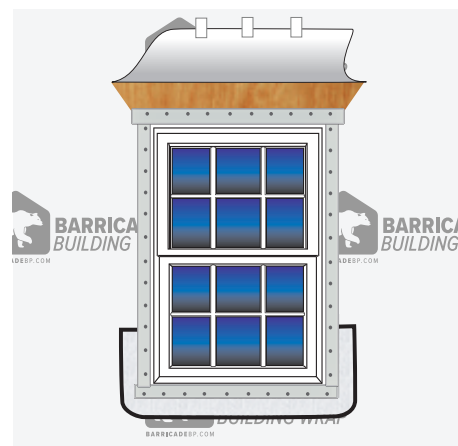
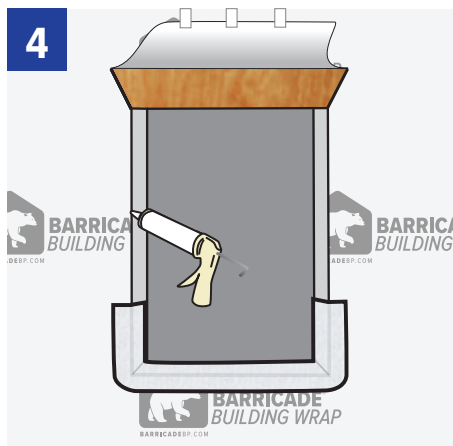
BARRICADE® LIQUID FLASHING

To begin, clean the rough opening thoroughly to remove any dirt or debris, and ensure all surfaces are dry and free of dust. Fill any gaps larger than ½ inch with a foam backer rod or low-expansion spray foam. Next, mark 6 inches up from the sill on both sides of the window opening. Apply Barricade® Liquid Flash in an "S" pattern along the window sill, extending under the sill, 4 inches down onto the sheathing, and 6 inches up each side of the opening.



Spread the liquid flash into a continuous, uniform film at a minimum thickness of 0.012 inches. The goal is to create a seamless, waterproof barrier across the sill and up the sides, ensuring complete protection of the rough opening.

NOTE: If a WRB will be applied after the window and flashing have already been installed, be sure not to fasten the lower edge of the flashing so that the WRB may be slipped underneath the flashing in weatherboard or shingle lap fashion (i.e., top layer overlapping bottom layer).



WINDOW AND DOOR INSTALLATION

Before installing the window, either (A) apply a continuous bead of sealant to the backside (interior) of the mounting flange near the outer edge, or (B) apply a continuous seal to the rough window opening at a point to assure contact with the backside (interior) of the mounting flange. **DO NOT** seal along bottom. Install window according to manufacturer's installation procedures. Use of Barricade Construction Sealant is recommended and compatible with all Barricade Flashing Tapes.

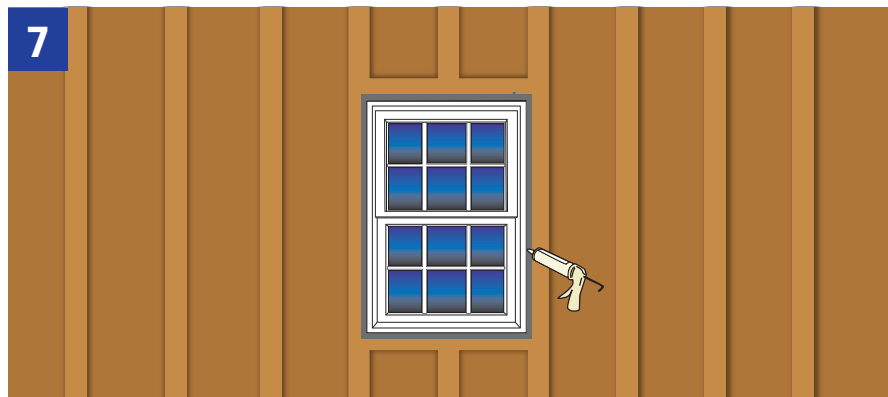
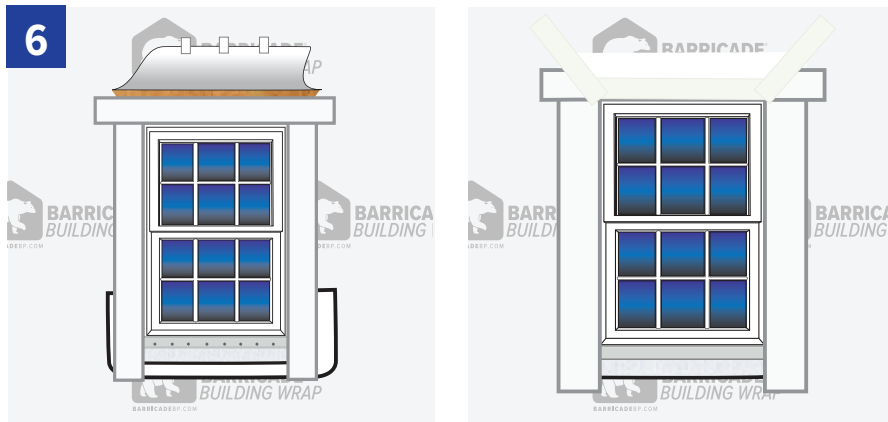
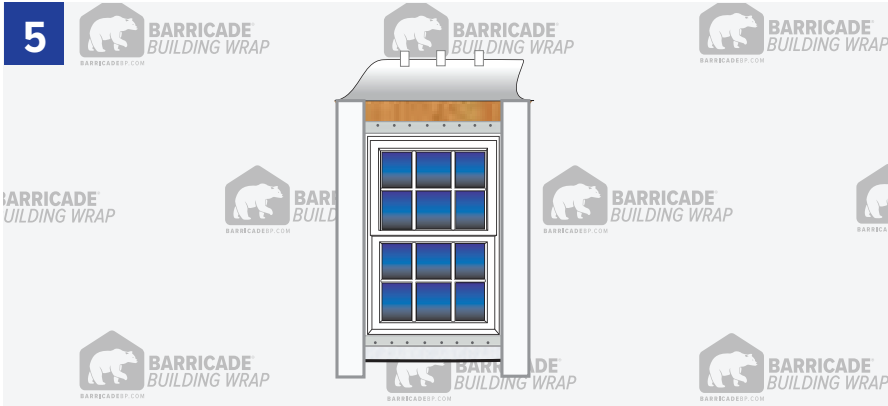
** If using a competitive flashing tape or sealant ensure compatibility.

(CONTINUED ON NEXT PAGE)

FLASHING INSTALLATION

FLANGED WINDOW INSTALLATION

FOR BARRICADE® FLASH RIGHT, BARRICADE® FLASH ULTI, BARRICADE® FLASH CONFORM, BARRICADE® FLASH EXTREME



JAM FLASHING

Utilizing a roller to provide firm, consistent pressure, apply Barricade window flashing along vertical sides of the opening. Flash over the side window flanges. Extend the flashing beyond the sill flashing already in place and extend the flashing 1-2 inches beyond the head flange, so that it will not project beyond the head flashing to be applied later.

HEAD FLASHING

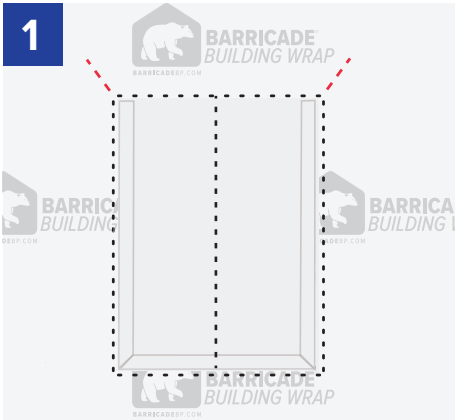
Affix the bottom of the head flashing over the mounting flange. Be sure to extend the flashing beyond each jamb flashing. Secure in place by applying pressure. Unattach building wrap and apply over head flashing as shown. Tape all seams and joints.

BEST PRACTICE

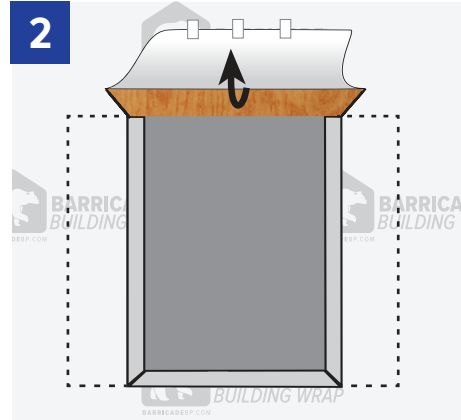
On the inside of the window apply a bead of caulking all the way around the window sealing any gaps between the window opening and the window frame. If the gap is larger than 3/8" the use of a foam backer or a low expansion foam is acceptable. Do not use a high expansion foam as it can warp the window frame. When using sealants ensure compatibility with flashing tapes.

FLASHING INSTALLATION

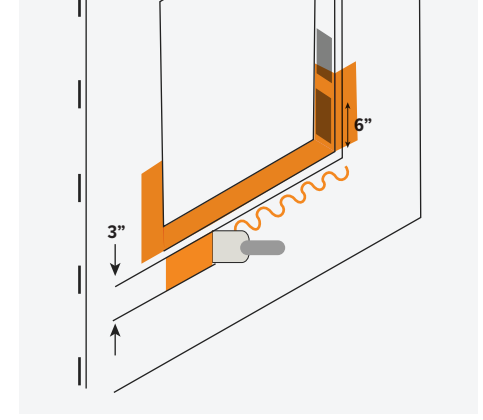
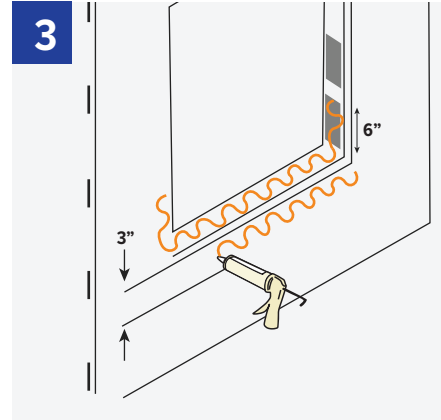
FLANGELESS WINDOWS



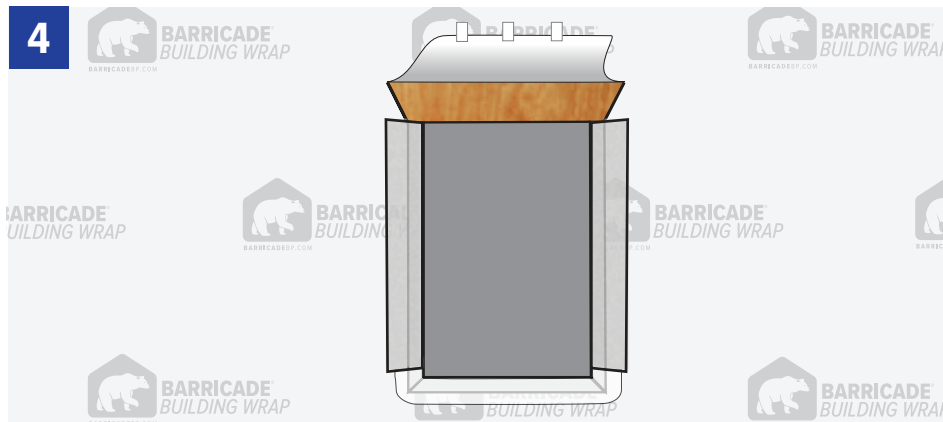
1 Cut out the whole frame. Make diagonal cuts at the top of the rough opening. Windows must be installed according to the manufacturer's recommended installation process.



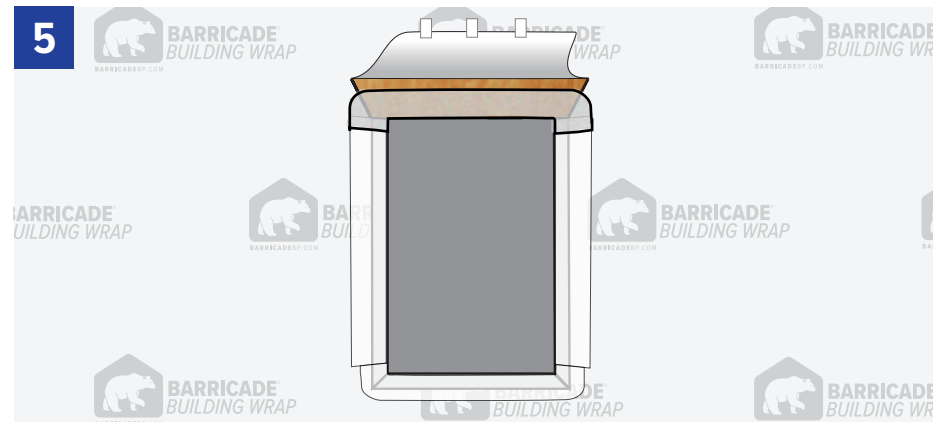
A. Flip the cut head flap upward to expose the sheathing and temporarily secure with Barricade Seam tape.
B. Use the Barricade Seam tape to hold the Barricade WRB around the rough opening. Alternative cutting Y method is acceptable as well (See Page 11).



To begin, clean the rough opening thoroughly to remove any dirt or debris, and ensure all surfaces are dry and free of dust. Fill any gaps larger than ½ inch with a foam backer rod or low-expansion spray foam. Next, mark 6 inches up from the sill on both sides of the window opening. Apply Barricade® Liquid Flash in an "S" pattern along the window sill, extending under the sill, 4 inches down onto the sheathing, and 6 inches up each side of the opening. Spread the liquid flash into a continuous, uniform film at a minimum thickness of 0.012 inches. The goal is to create a seamless, waterproof barrier across the sill and up the sides, ensuring complete protection of the rough opening.



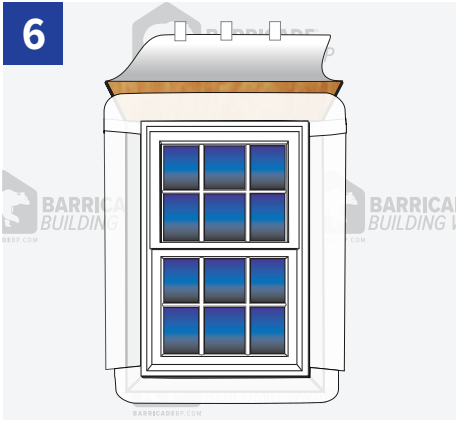
4
A. Cut Barricade flashing material to fit within the vertical length of the rough opening.
B. Remove the backing and apply the vertical flashing to cover the wood framing and fold onto the exterior face of the wall adhering to the WRB.
C. Ensure that Jam flashing fully overlaps sill flashing.



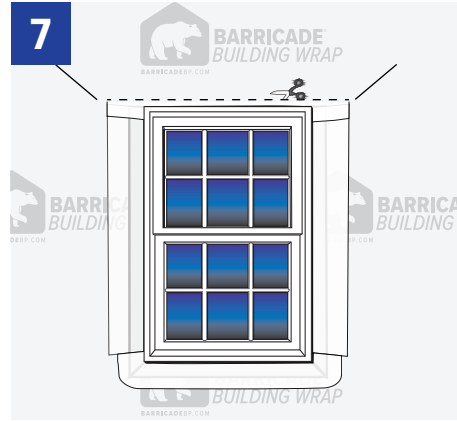
5
A. Cut Barricade flashing material that is at least 12" longer than the rough header opening.
B. Remove the backing and align the head flashing with the center interior edge of the header, and adhere to the header and down both vertical jambs.
C. Fold and roll the flashing onto the exterior face of the wall. Avoid stretching the material, and work from the center out to the edges and down the jambs.
D. Ensure head flashing fully overlaps jam flashing.

FLASHING INSTALLATION

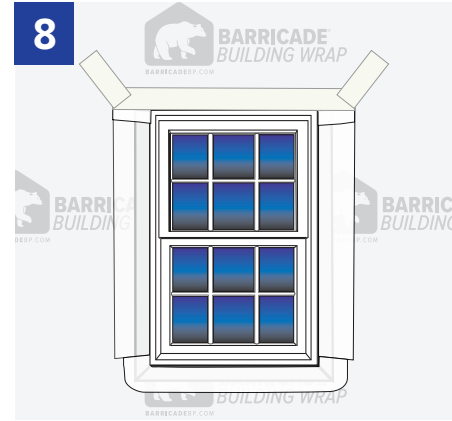
FLANGELESS WINDOWS



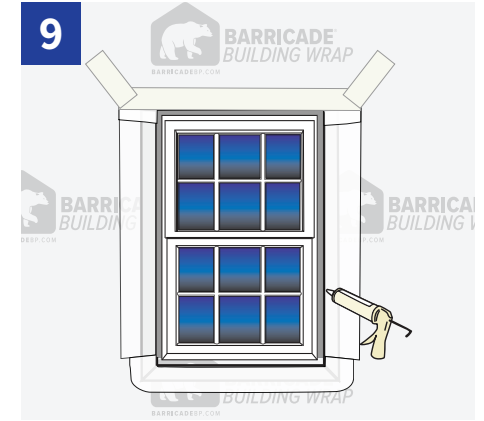
6 Install and shim window into rough opening per manufacturer's instructions. When using sealants or primers, be sure Barricade branded (or compatible) sealant is used.



7 **A.** Release the tape and drape the upper WRB flap onto the window header.
B. Trim across the flap to allow at least 1" overlap of the header flashing.



8 **A.** Apply Barricade flashing over the horizontal flap onto the window face.
B. Apply short strips of Barricade flashing to cover the diagonal cuts in the WRB.



9 Apply sealant along the top and sides of the window between flashing tape and window frame. Do not apply sealant along the bottom of the window to allow water a place to drain.

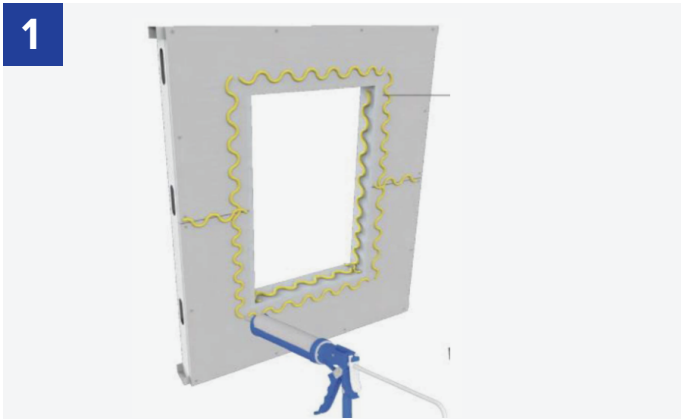


10 Complete the window installation following manufacturer's instructions. Apply a bead of sealant all the way around the window frame and the window opening. If the gap is larger than 3/8" the use of a foam backer or a low expansion foam is acceptable. Do not use a high expansion foam as it can warp the window frame. When using sealants or primers, be sure Barricade branded (or compatible) sealant is used.

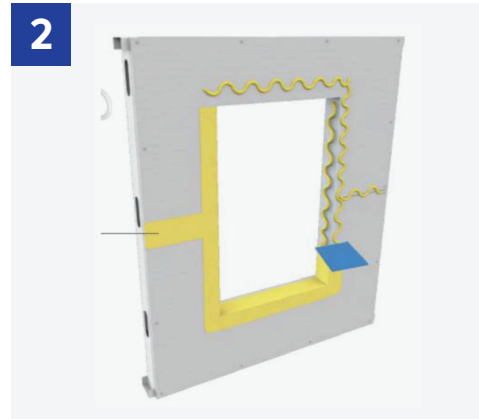
FLASHING INSTALLATION

LIQUID FLASHING INSTALLATION INSTRUCTIONS

INSTALLATION AT ROUGH OPENING



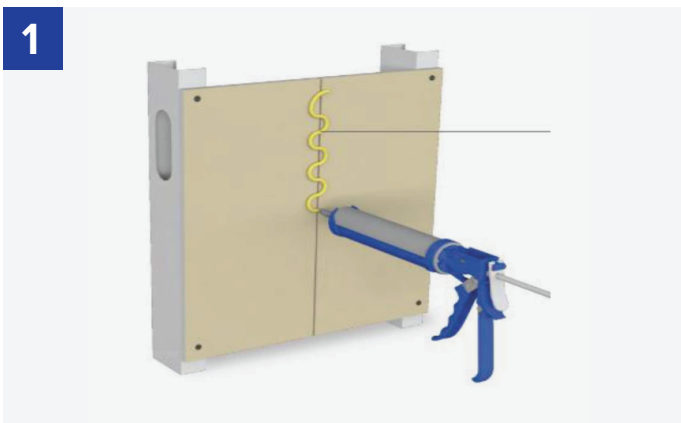
1 Apply Liquid Flashing with a caulking gun in a zig-zag pattern into rough opening and around the perimeter.



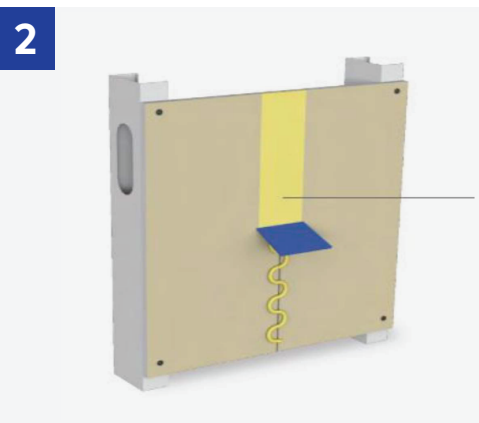
2 Spread Liquid Flashing to a uniform thickness of 12-15 wet mils inside the opening and onto the face of the sheathing 2 inches minimum all the way around.



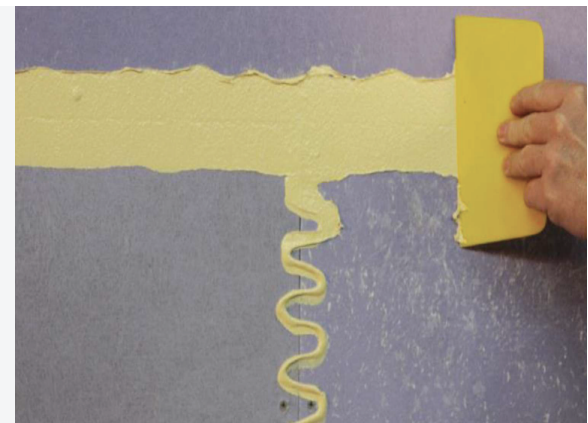
INSTALLATION AT SHEATHING JOINTS



1 Apply Liquid Flashing with a caulking gun in a zig-zag pattern over Thermo-brace Sheathing with butted joints or wood-based sheathing gapped 1/8 inch typical.



2 Spread to a minimum width of 1 inch on both side of joint, and to a uniform thickness of 12-15 wet mils while material is still wet - usually within 2 to 3 minutes of gun application.



FLASHING INSTALLATION

LIQUID FLASHING INSTALLATION INSTRUCTIONS

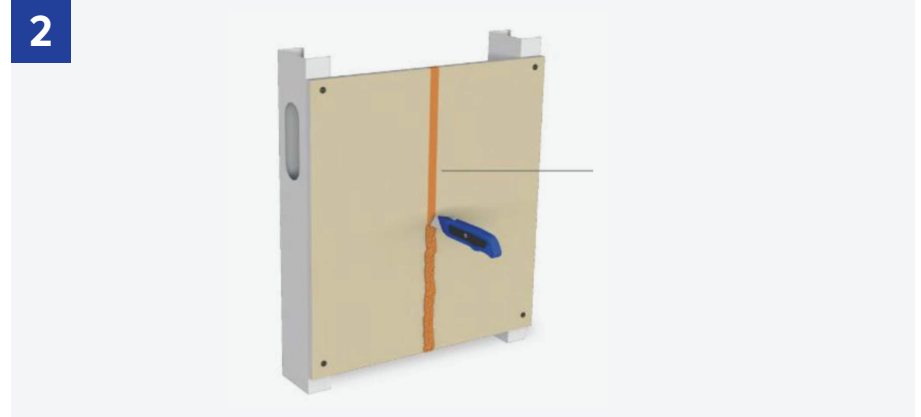
INSTALLATION AT SHEATHING JOINTS WITH AN OVERSIZED GAP

1



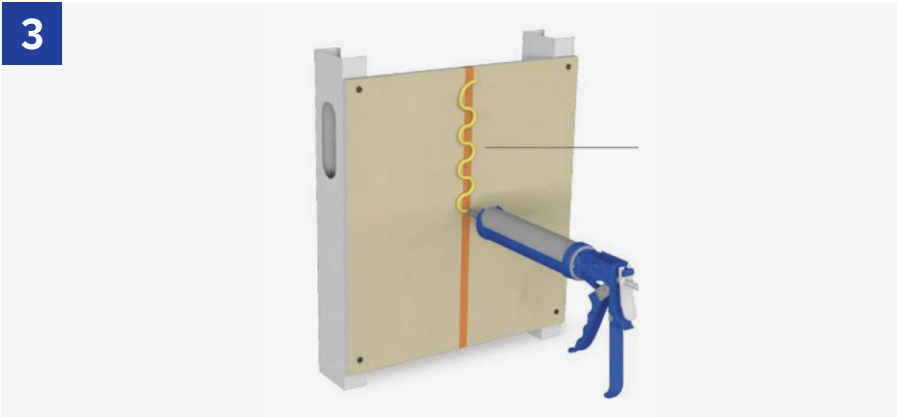
Fill wide gaps with spray foam. Gaps up to 1/2 inch width can be filled with Barricade Liquid Flashing. Use of spray foam (or backer rod) as depicted facilitates application and reduces liquid flashing consumption.

2



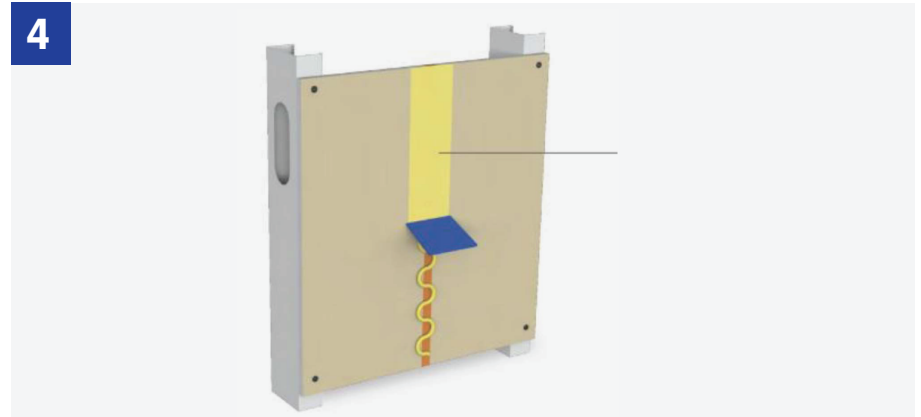
Trim spray foam flush with sheathing after spray foam has cured.

3



Apply Liquid Flashing with a caulking gun in a zig-zag pattern

4



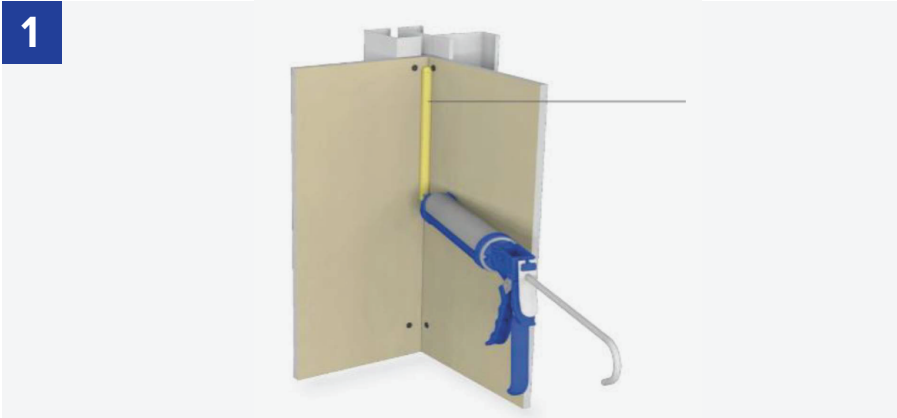
Spread to a minimum width of 1 inch on both side of joint, and to a uniform thickness of 12-15 wet mils while material is still wet - usually within 2 to 3 minutes of gun application.

FLASHING INSTALLATION

LIQUID FLASHING INSTALLATION INSTRUCTIONS

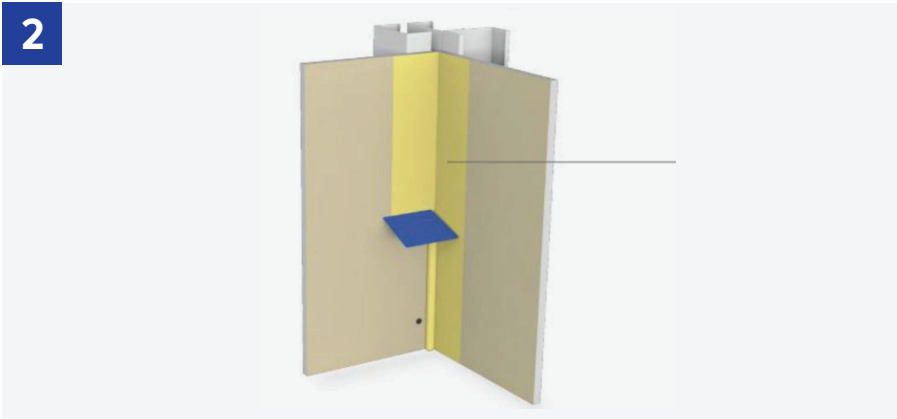
INSIDE CORNERS

1



Apply Barricade Liquid Flashing using a caulking gun to the inside intersecting corners.

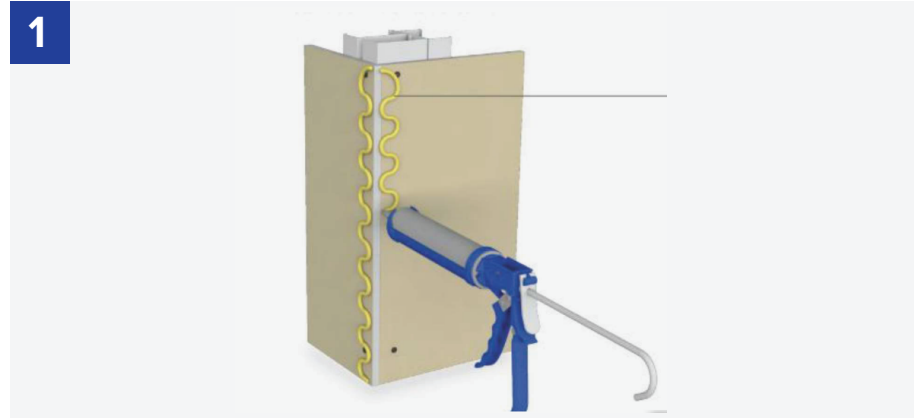
2



Spread Barricade Liquid Flashing 2 inches on both sides of intersecting corners and a uniform thickness of 12-15 wet mils.

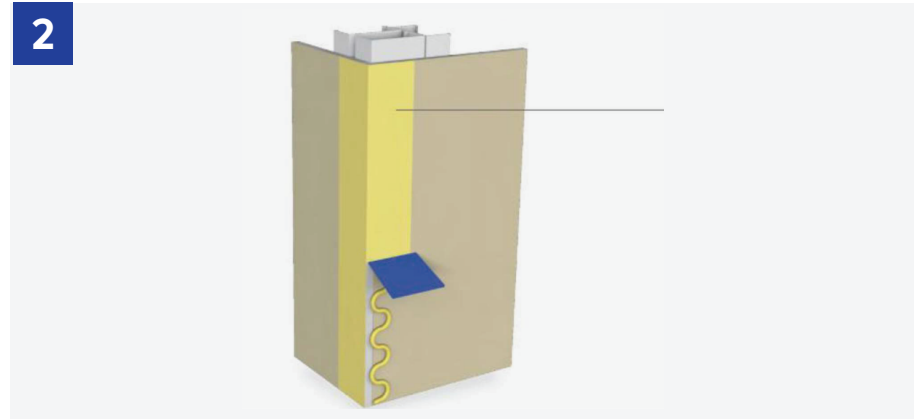
OUTSIDE CORNERS

1



Apply Barricade Liquid Flashing using a caulking gun to the outside intersecting corners.

2



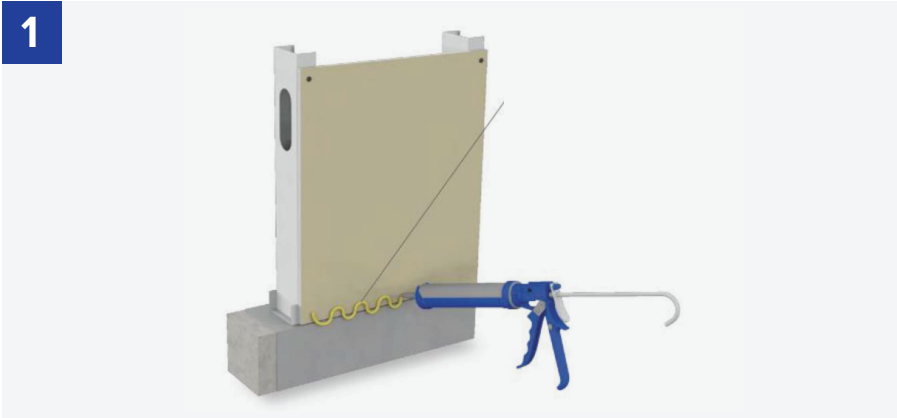
Spread Barricade Liquid Flashing to a minimum 2 inches on both sides of intersecting corner.

FLASHING INSTALLATION

LIQUID FLASHING INSTALLATION INSTRUCTIONS

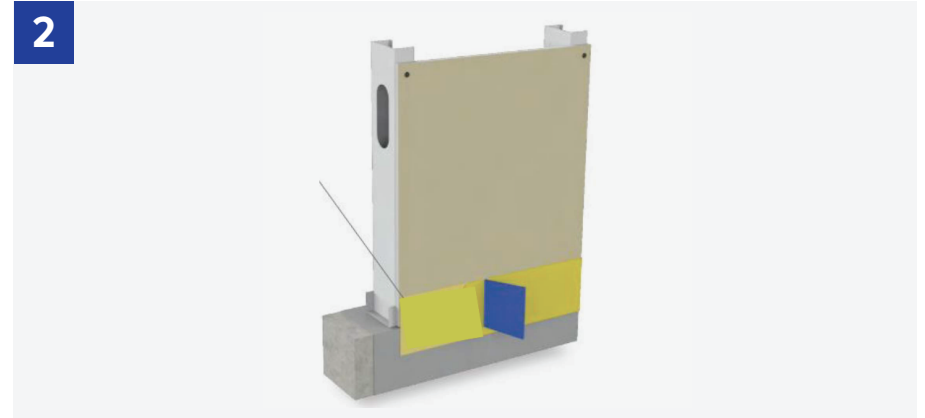
INSTALLATION AT FLASHING TRANSITION

1



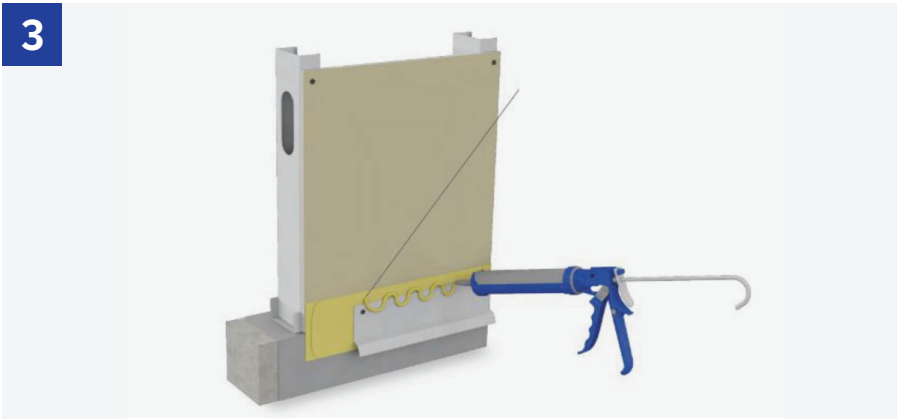
Apply Barricade Liquid Flashing using a caulk gun in a zig-zag pattern into rough opening and around the perimeter.

2



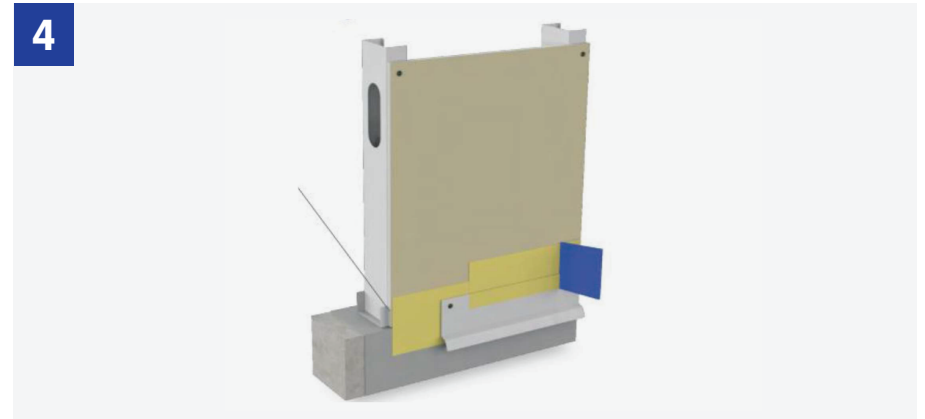
Spread Barricade Liquid Flash to uniform thickness of 12-15 wet mils inside the opening and onto the face of the sheathing 2 inches minimum all the way around.

3



Apply Barricade Liquid Flashing to top edge of flashing.

4

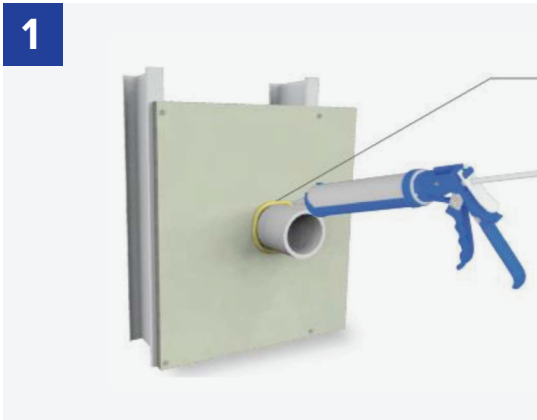


Spread to completely seal top of flashing and to cover fasteners.

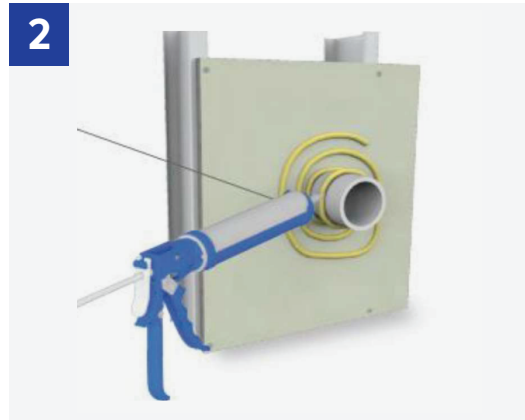
FLASHING INSTALLATION

LIQUID FLASHING INSTALLATION INSTRUCTIONS

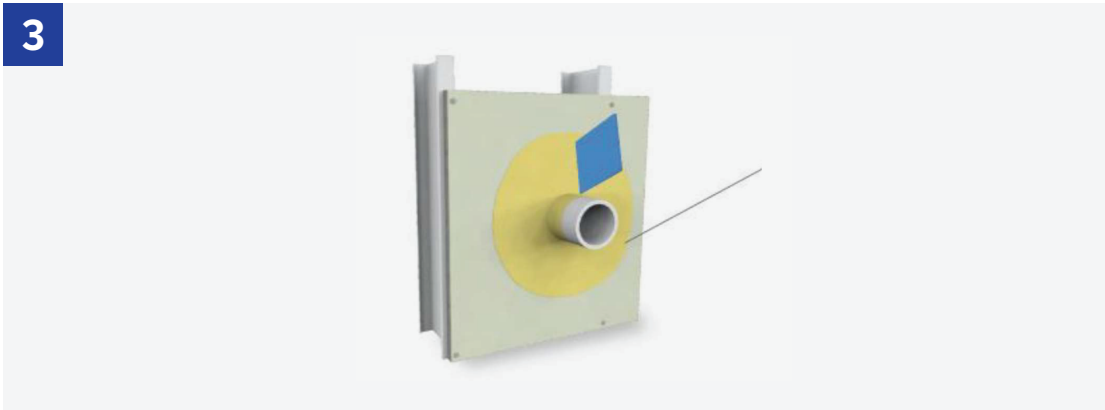
INSTALLATION AT MECHANICAL AND/OR PIPE PENETRATION



Fill gap with Barricade Liquid Flashing



Apply additional Barricade Liquid Flashing



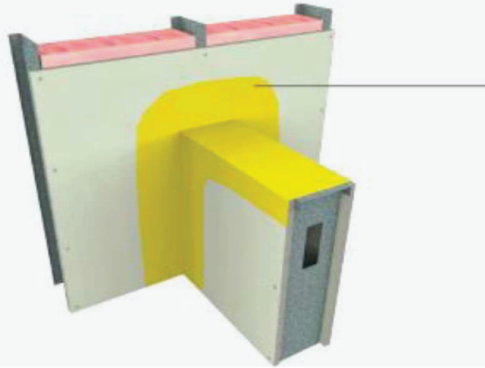
Spread Liquid Flashing to lap a minimum of 1 inch onto both the sheathing and penetrating element surfaces.



FLASHING INSTALLATION

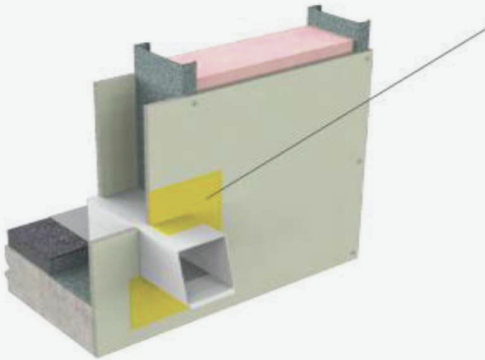
LIQUID FLASHING INSTALLATION INSTRUCTIONS

INSTALLATION AT ROUGH OPENING

1

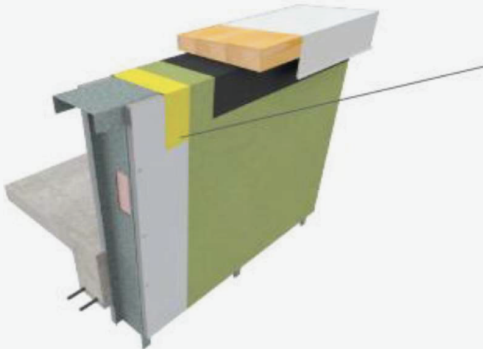
Low-to-High Wall Intersection

Apply Barricade Liquid Flashing at intersecting wall of different heights. Follow application recommendations for corner applications. Wrap top of parapet wall with Liquid Flashing prior to installation of nailer and cap flashing provide continuous waterproofing on both sides of wall with Liquid Flashing and/or wall membrane on inside of parapet. Follow application recommendations for corner applications.

2

Roof Scuppers or Similar

Follow application recommendations for mechanical penetrations.

3

Parapet

Wrap top of parapet wall with Barricade Liquid Flashing prior to installation of nailer and cap flashing. Provide continuous waterproofing on both sides of wall with Liquid Flashing and/or wall membrane on inside of parapet. Follow application recommendations for corner applications.

OTHER DETAILS:

All installation instructions and procedures contained within this brochure are recommended by Barricade Building Products and should be followed. Failure to follow these instructions and procedures may compromise the integrity of the product and impact its performance. All Barricade Building Products are manufactured to meet the full intent of all applicable building codes and their governing bodies.

Any rips, tears, breaks, holes, etc. that happen during normal construction should be repaired by taping or patching. Other holes, gaps, or cracks created in the exterior wall around items such as faucets, dryer vents, electrical outlets, etc. should also be properly taped, flashed, and sealed. Any of these occurrences that go unrepaired will diminish the products performance and contribution to the overall water-resistance of the wall system.

It's always a wise construction practice to use and integrate properly installed flashings around all window and door openings as well as other exterior penetrations as part of an overall design strategy to control moisture movement and transport. Please contact your builder or Barricade Building Products for more details.

The information contained in this installation guide is to the best of our knowledge, true and accurate and is presented in good faith. Barricade Building Products assumes no liability, expressed or implied as to the architecture, engineering, or workmanship of any project. This information may be concurrent with, or superseded by other applicable documents.

Contact Barricade Building Products for further information or technical support at 877-832-0333.

